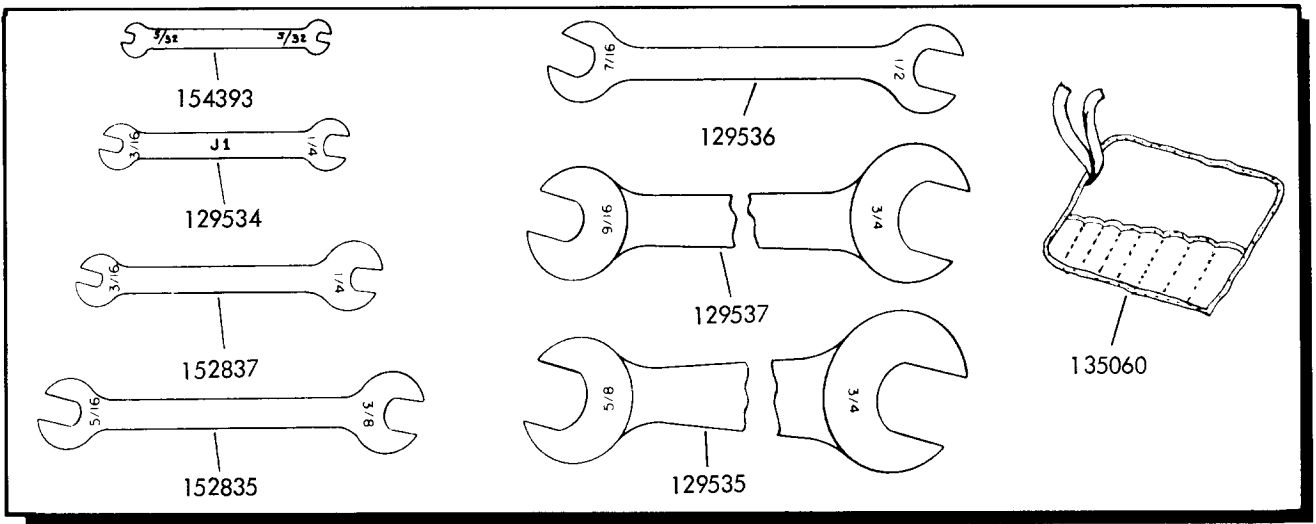
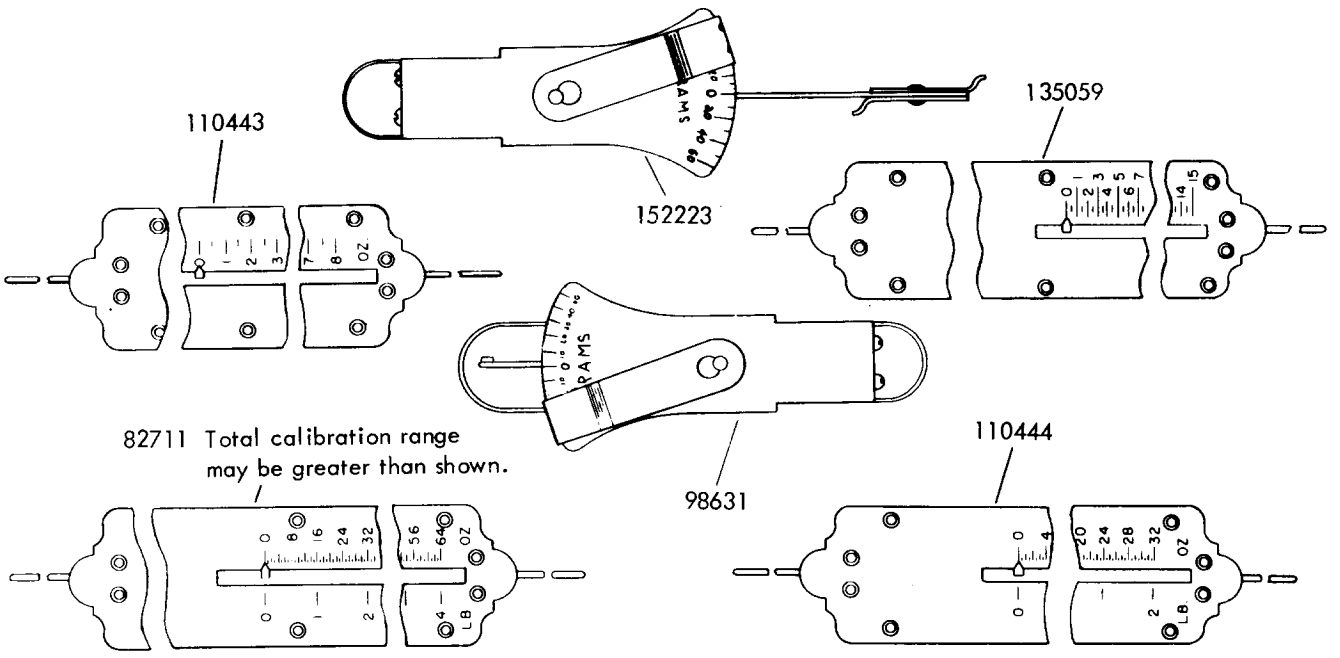
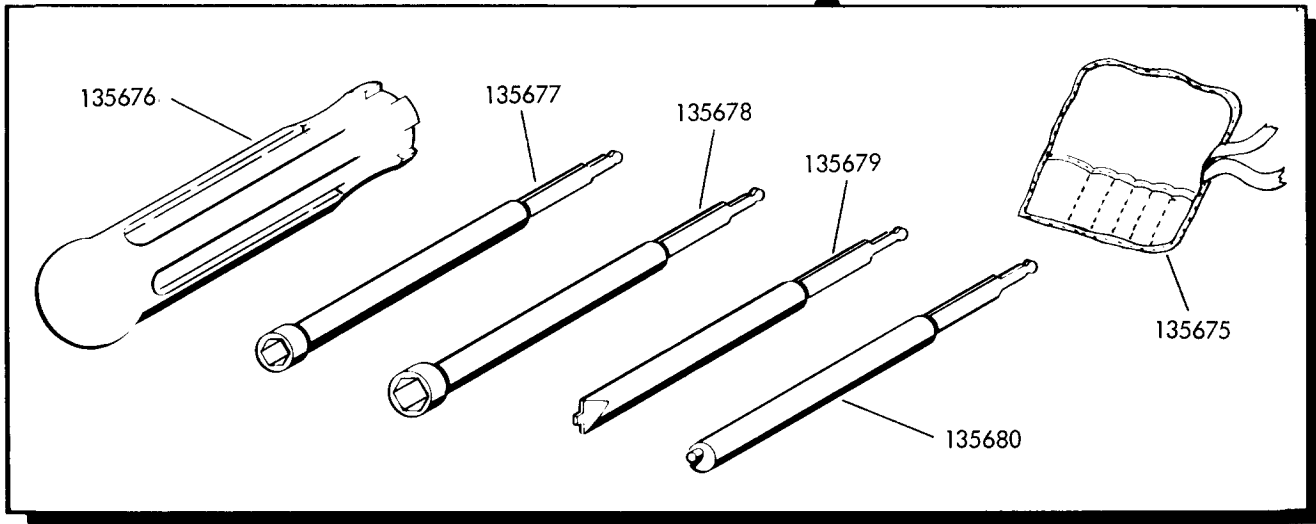


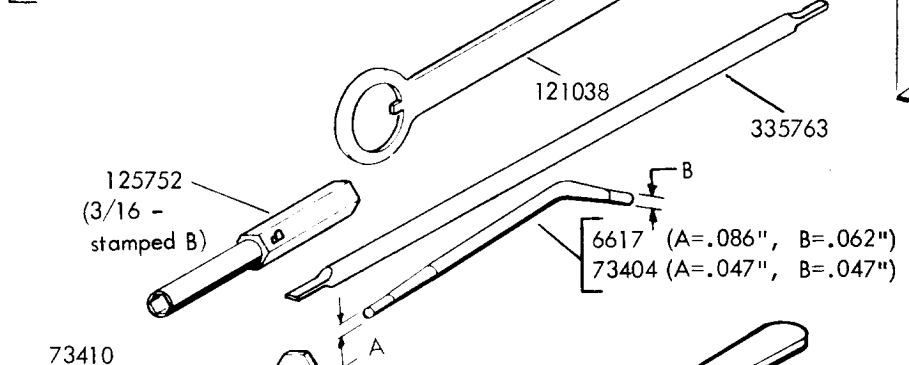
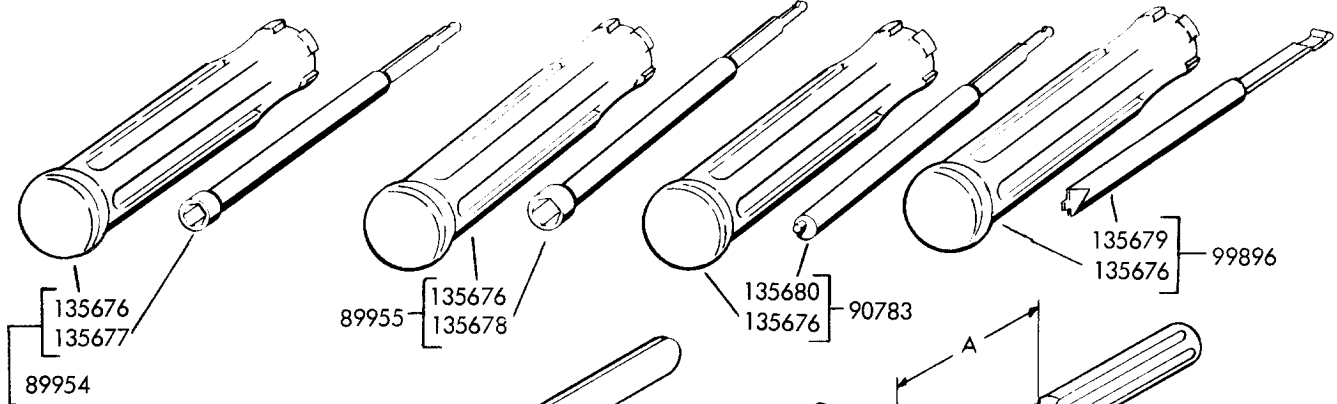
TELETYPEWRITER  
MAINTENANCE TOOLS



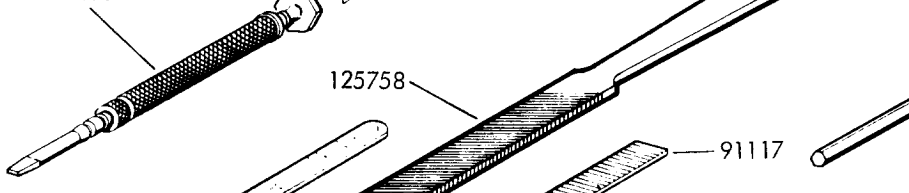
113756

113777

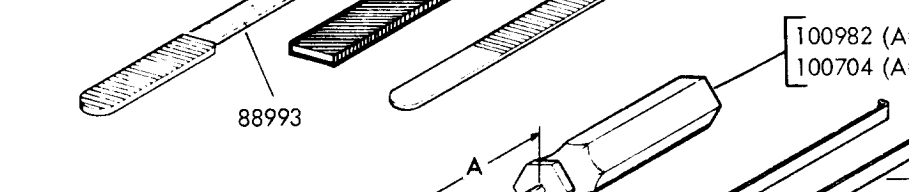




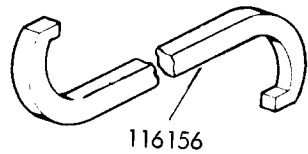
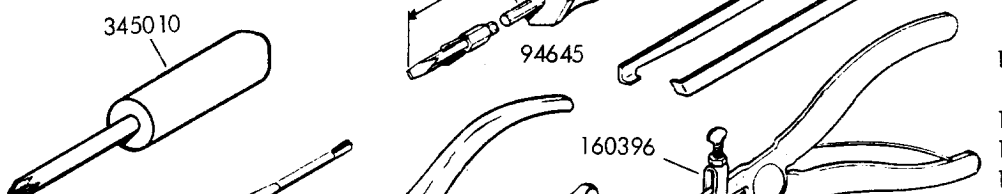
95368 Early Design  
(A=2-1/2") Black Handle  
95368 Late Design  
(A=1-1/2") Yellow Handle



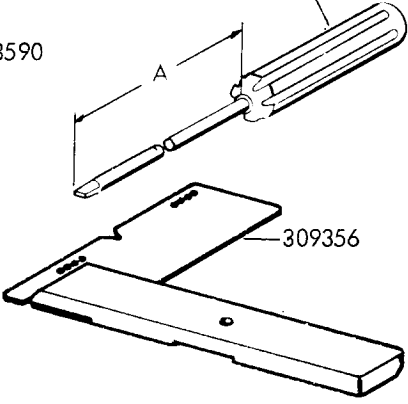
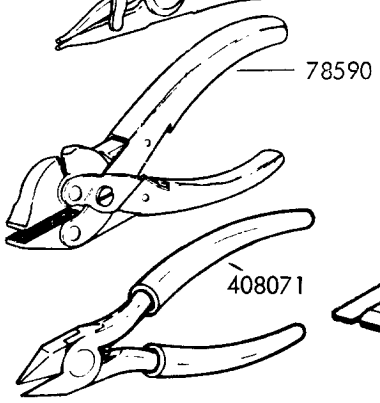
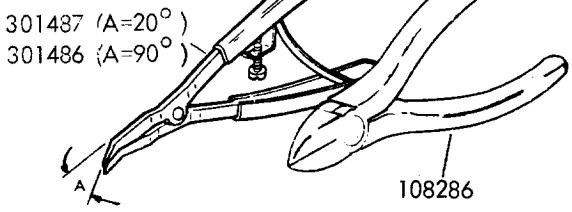
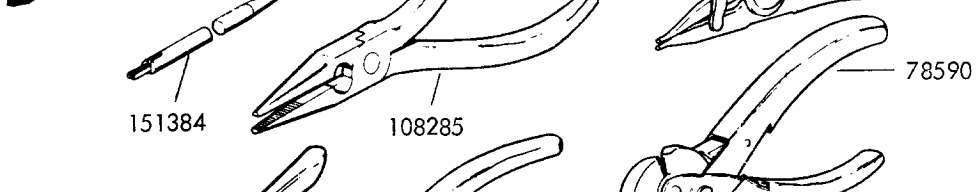
- 103621 (.187") 2-7/8" Long
- 104457 (.050") 1-3/4" Long
- 110271 (.078") 1-7/8" Long
- 124682 (.062") 1-3/4" Long
- 159841 (.093") 1-15/16" Long
- 186077 (.109") 3-5/8" Long
- 186307 (.078") 3-9/32" Long
- 187183 (.050") 2-61/64" Long
- 187184 (.062") 3-1/16" Long
- 187185 (.093") 3-15/32" Long
- 310106 (.125") 2-1/4" Long

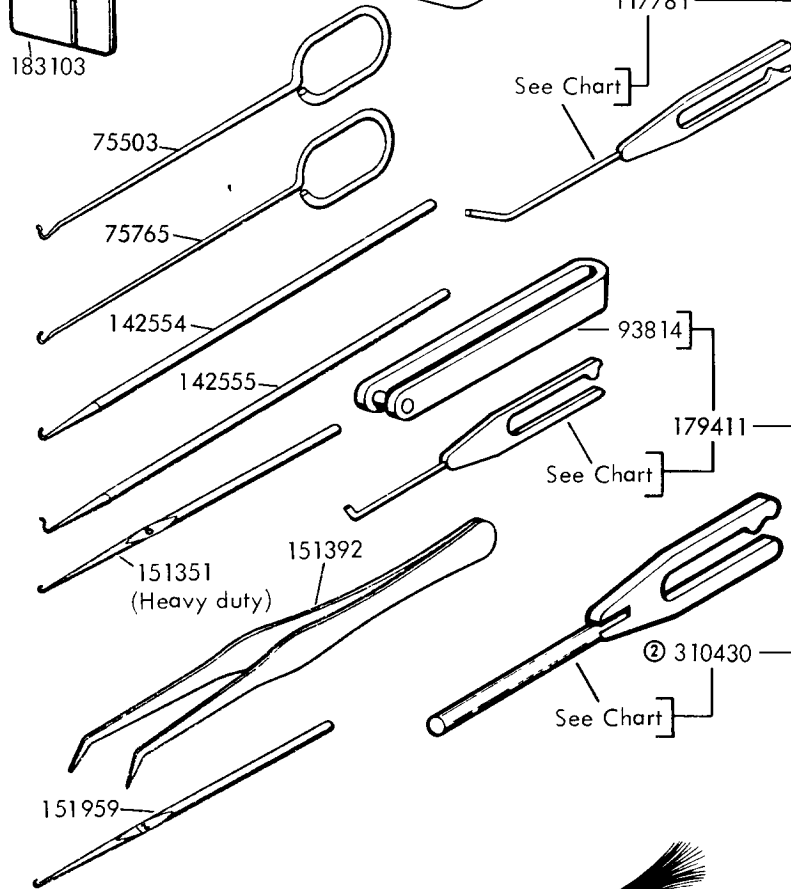
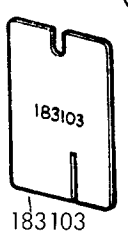
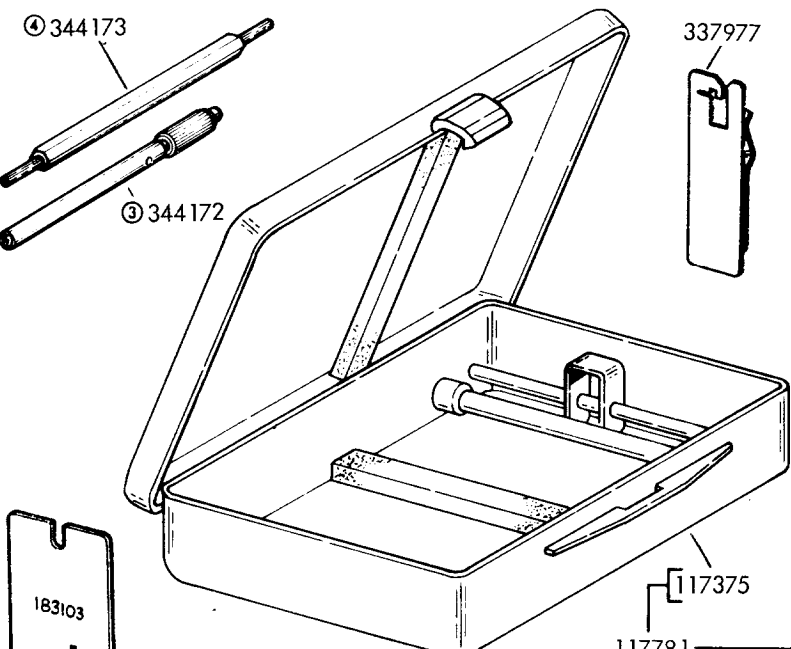


- 100982 (A=6")
- 100704 (A=10")



- 110442 (A=2-1/2")
- 94647 (A=3-1/2")
- 108252 (A=4)
- 151382 (A=6)
- 129848 (A=10)



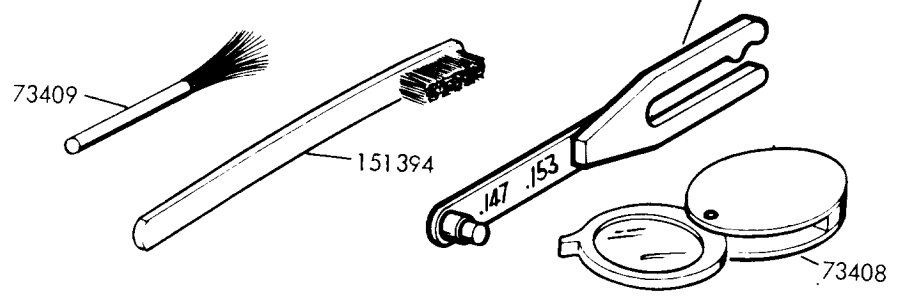


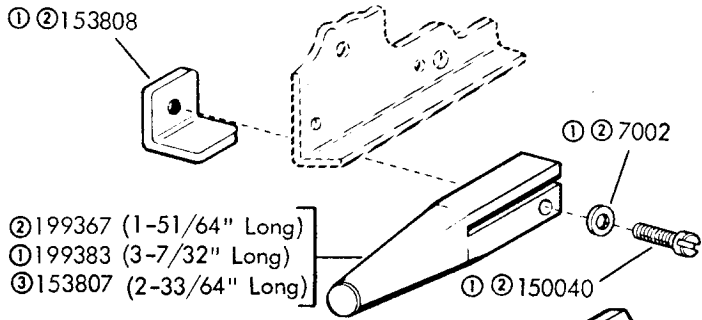
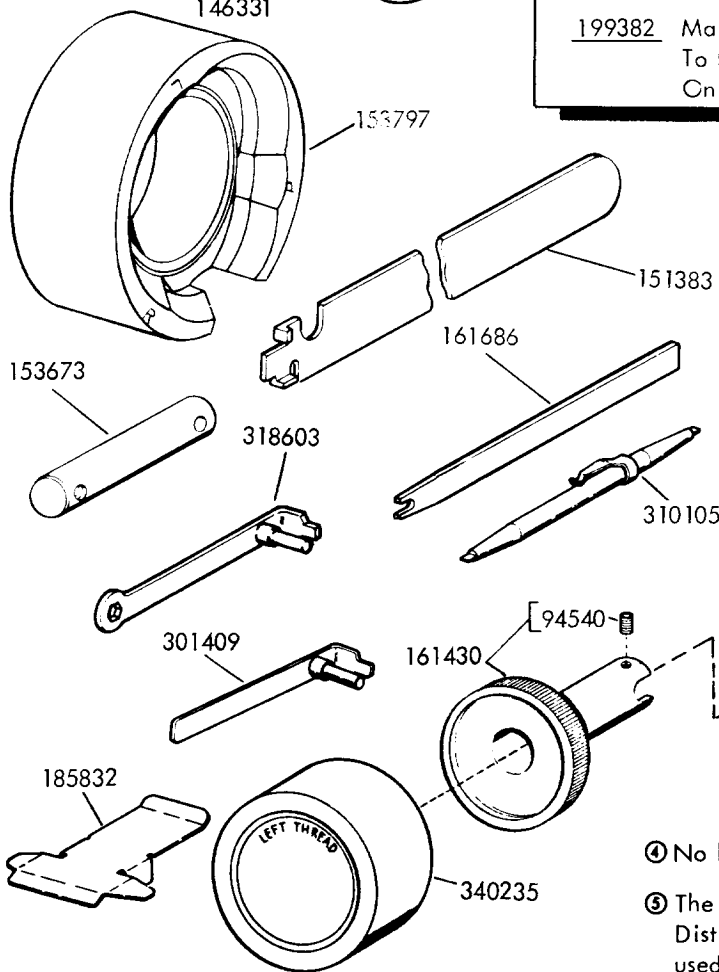
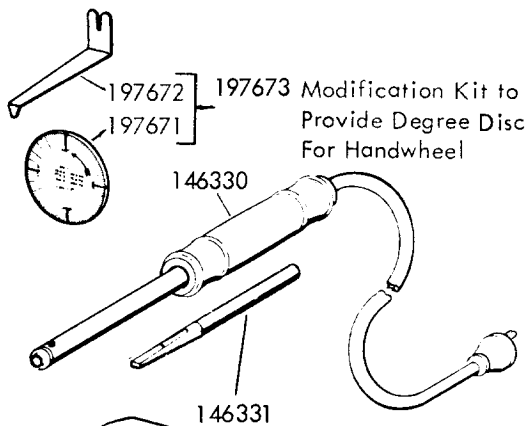
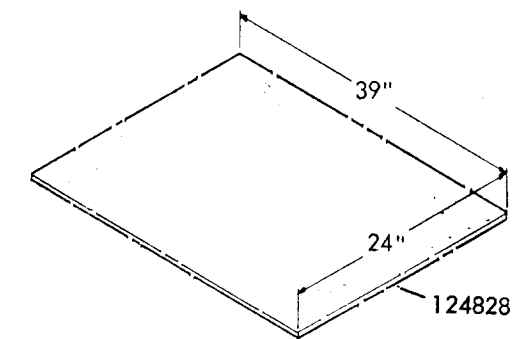
Gauge Chart		
Thickness	Shape	Part Number
.002	Flat	96356
.002	Flat-Brass	96358
.003	Flat	93833
.004	Flat	93822
.005	Flat	93823
.006	Flat	96360
.006	Round	96369
.007	Flat - Phos. Bronze	96362
.008	Round	96371
.010	Round	96373
.010	Flat	96364
.012	Round	93828
.015	Round	96375
.018	Round	93824
.020	Round	96377
.025	Round	93825
.027	Round	①96352
.030	Round	93811
.035	Round	96383
.037	Round	98136
.040	Round	96385
.045	Round	96389
.050	Round	96391
.055	Round	93827
.060	Round	96393
.065	Round	③96399
.070	Round	③96401
.075	Round	③96403
.080	Round	⑤96405

.090	Round	179407
.100	Round	179408
.110	Round	179409
.120	Round	179410

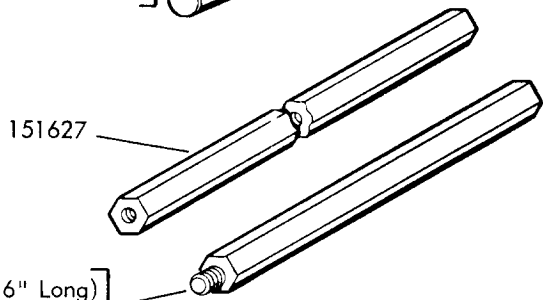
.130	Round	310420
.135	Round	310421
.140	Round	310422
.145	Round	310423
.147		
& .153	Round	310413
.150	Round	310424
.280	Round	310425
.320	Round	310426

- ① Not part of 117781
- ② Includes 117375 Case
- ③ 344172 wire wrapping tool for use with solid 24 gauge wire.
- ④ 344173 wire unwrapping tool, right and left for 20 to 26 gauge wire.
- ⑤ 96395 set of gauges.





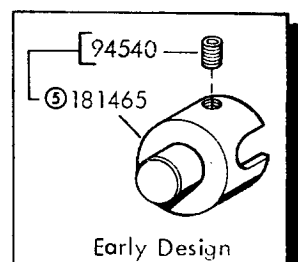
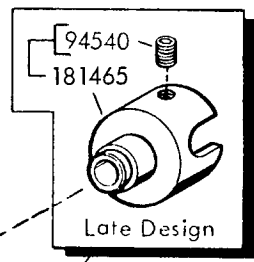
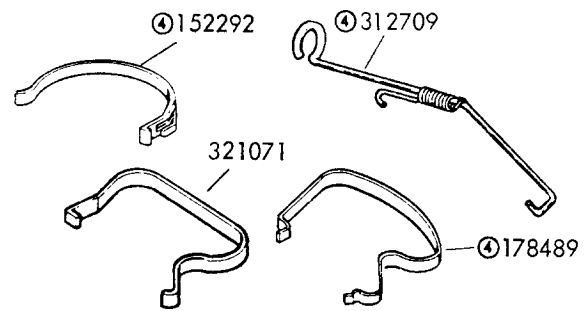
- ② 199367 (1-51/64" Long)
- ① 199383 (3-7/32" Long)
- ③ 153807 (2-33/64" Long)



- ③ 152258 (3-3/16" Long)
- 199384 (3-1/2" Long)

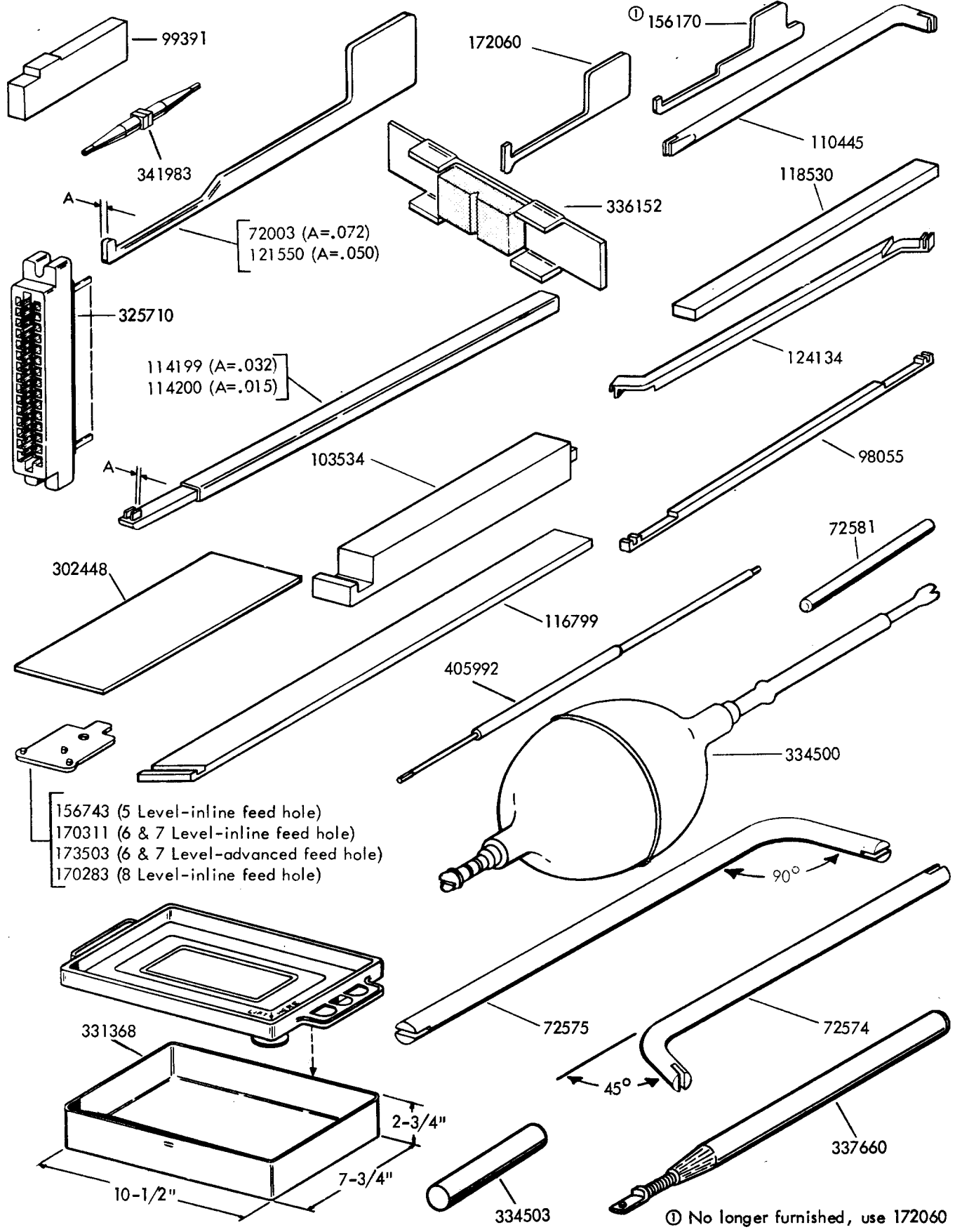
- ① 199380 Supporting Post Assembly
- ② 199385 Supporting Post Assembly
- ③ Early Design M28 only

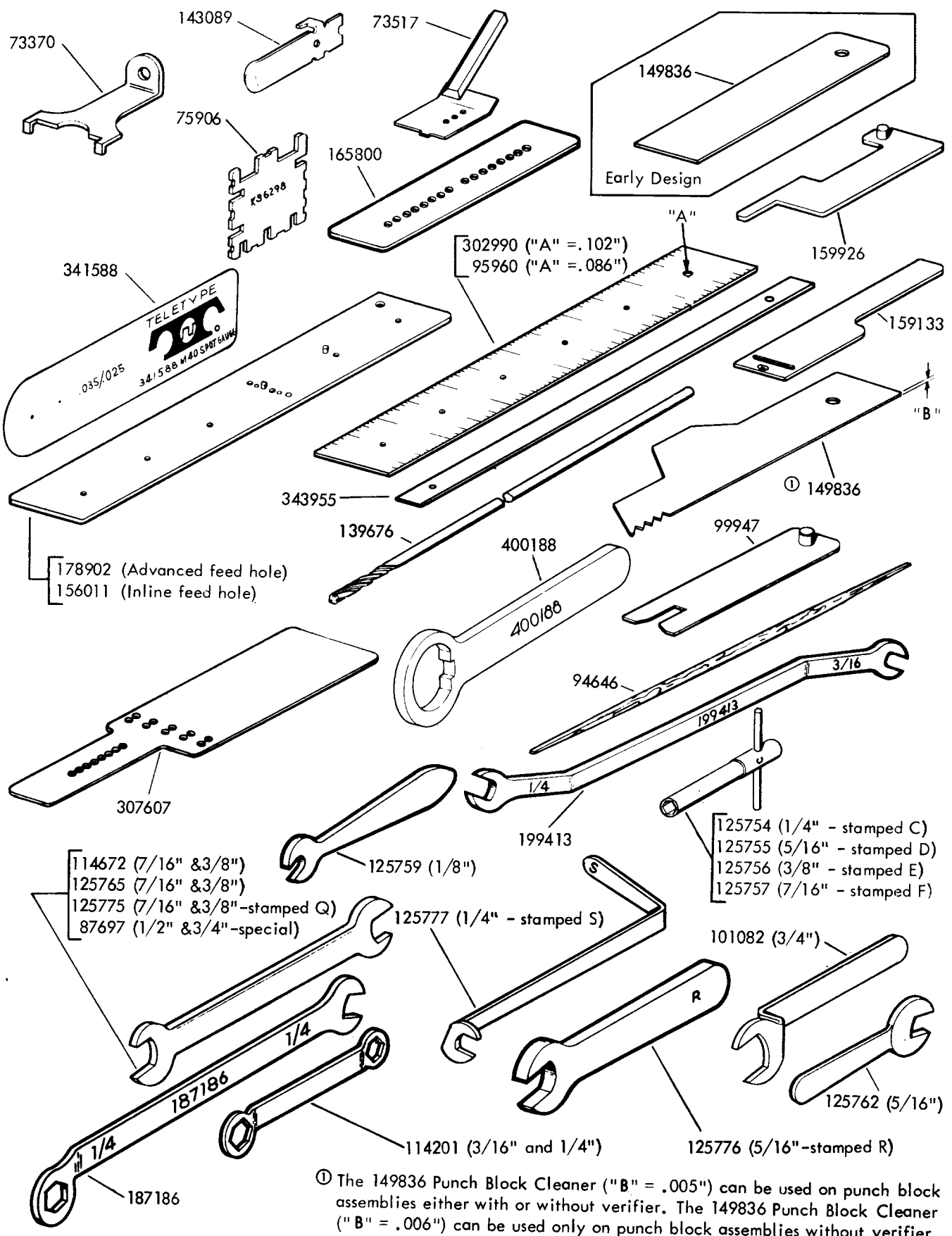
199382 Maintenance Kit  
To Permit Resting Model 28 and Model 35 Typing Unit  
On End for Servicing. Specification 57615



Adapter for Model  
33 page printer.

- ④ No longer furnished use 321071
- ⑤ The Late Design Adaptor can be used as an Adaptor and a Distributor Disc locator. The Early Design Adaptor can be used as a Handwheel Adaptor only.

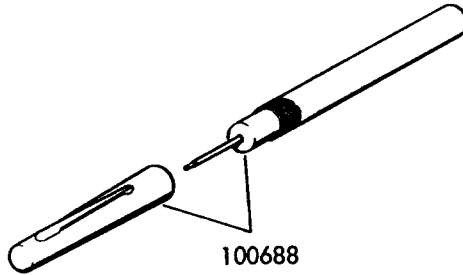




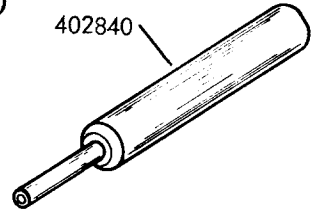
① The 149836 Punch Block Cleaner ("B" = .005") can be used on punch block assemblies either with or without verifier. The 149836 Punch Block Cleaner ("B" = .006") can be used only on punch block assemblies without verifier.



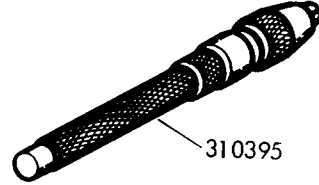
301168



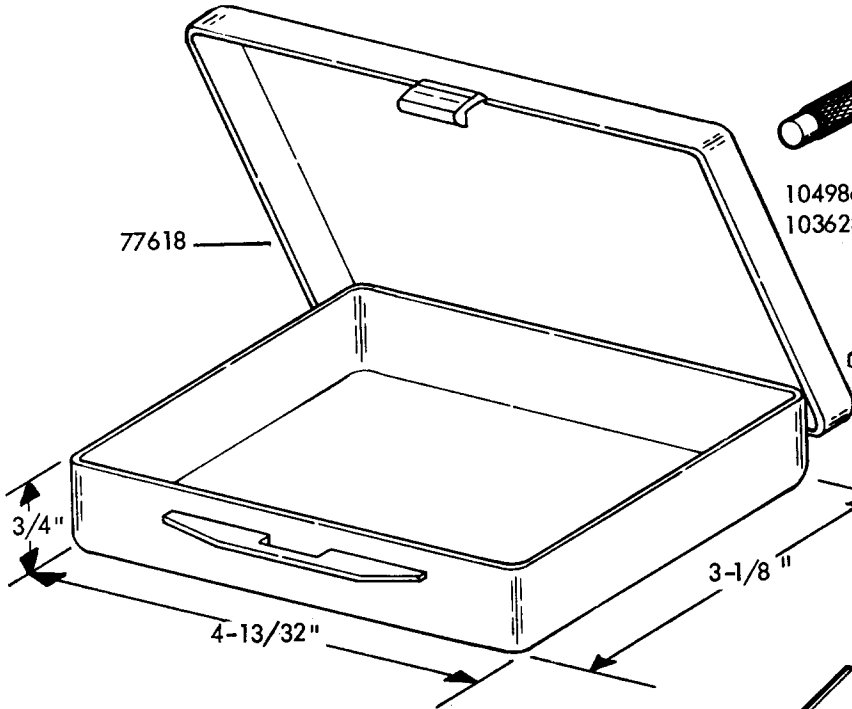
100688



402840



310395

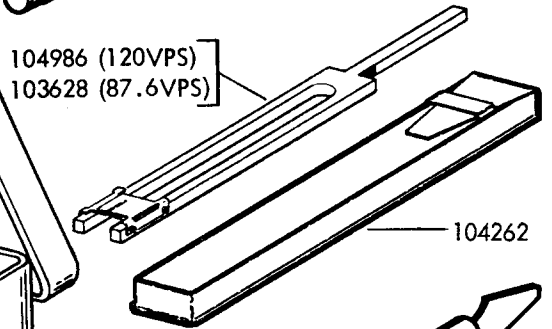


77618

3/4"

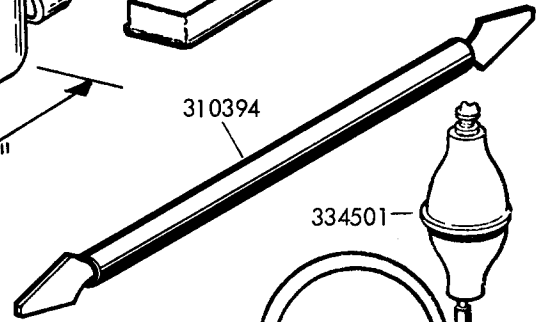
4-13/32"

3-1/8"

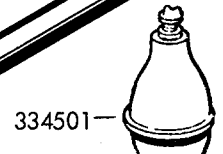


104262

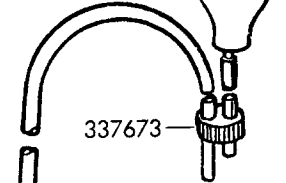
104986 (120VPS)  
103628 (87.6VPS)



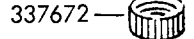
310394



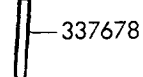
334501



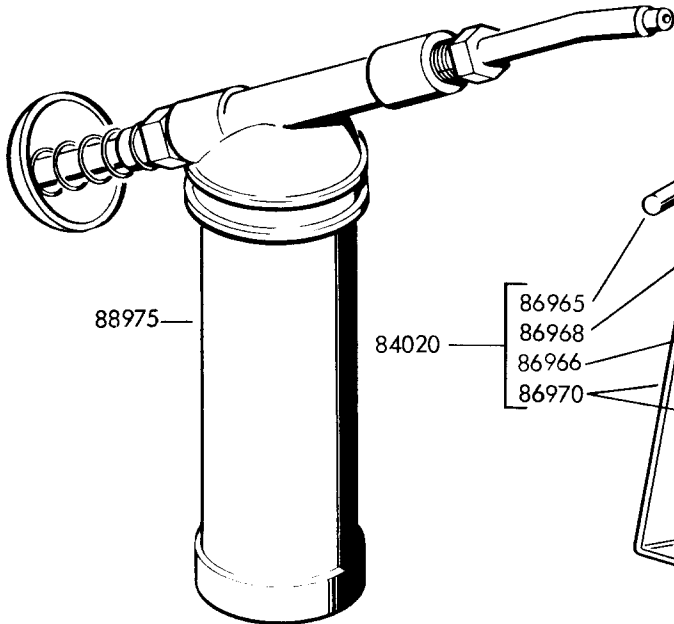
337673



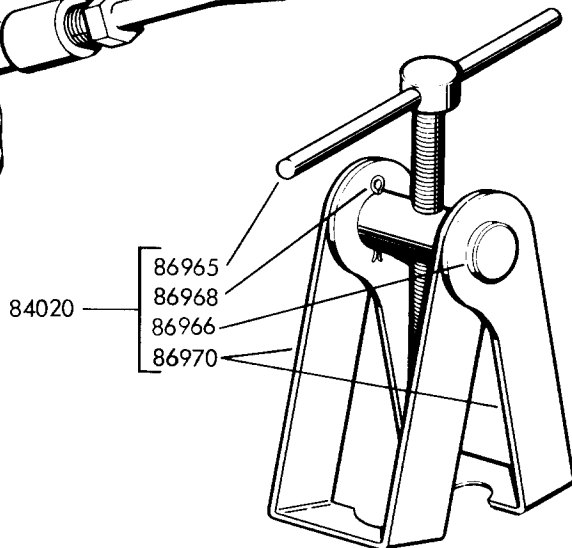
337672



337678

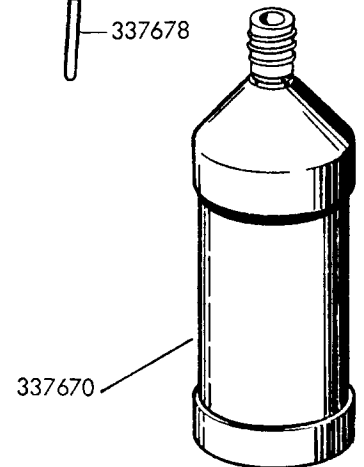


88975



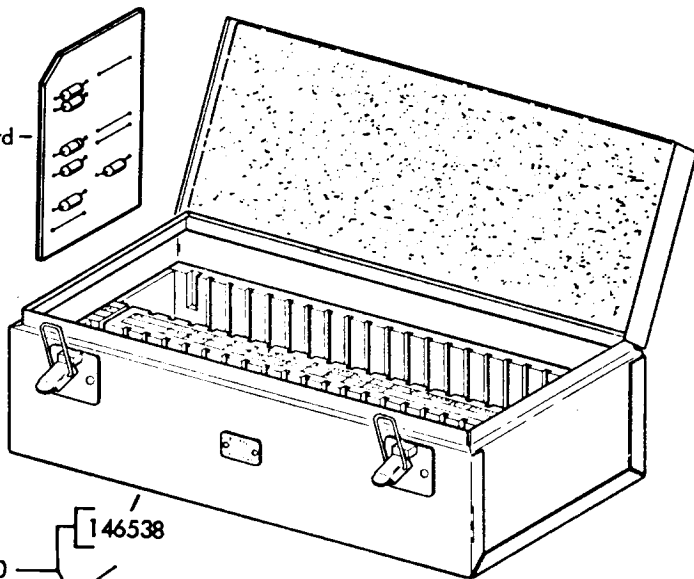
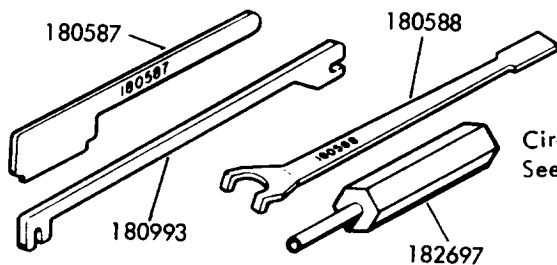
84020

86965  
86968  
86966  
86970



337670



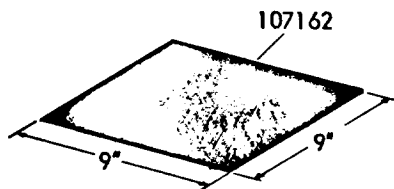


PAPER COVERED MYLAR TEST TAPES		
Description	Code	Part Number
27 Repetitions of 14 Character Pattern	5 Level	146605
27 Repetitions of 14 Character Pattern	8 Level	146606
27 Repetitions of 14 Character Pattern	6 Level	146861
78 Repetitions of 14 Character Pattern	5 Level	148101
78 Repetitions of 14 Character Pattern	8 Level	148102
189 Repetitions of 2 Character pattern	8 Level	148554
Error detection and correction (EDC)	8 Level	303069
480 Repetitions of Single Character Pattern	8 Level	303098
240 Repetitions of 2 Character Pattern	8 Level	303099
17" of repeated letters Character Pattern	5 Level	320279
"Brown Fox" Sequence	5 Level	305734
	8 Level	305735
"Brown Fox" Pattern	5 Level	326742
	8 Level	326743

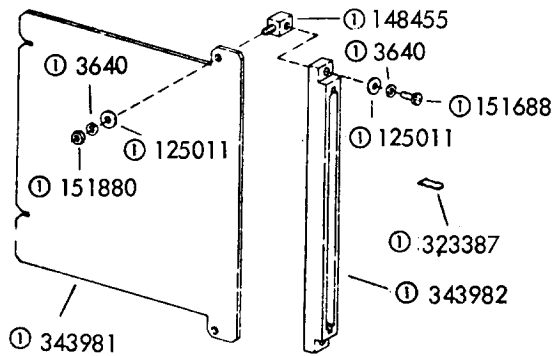
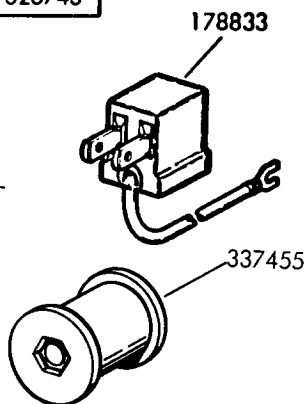
146540

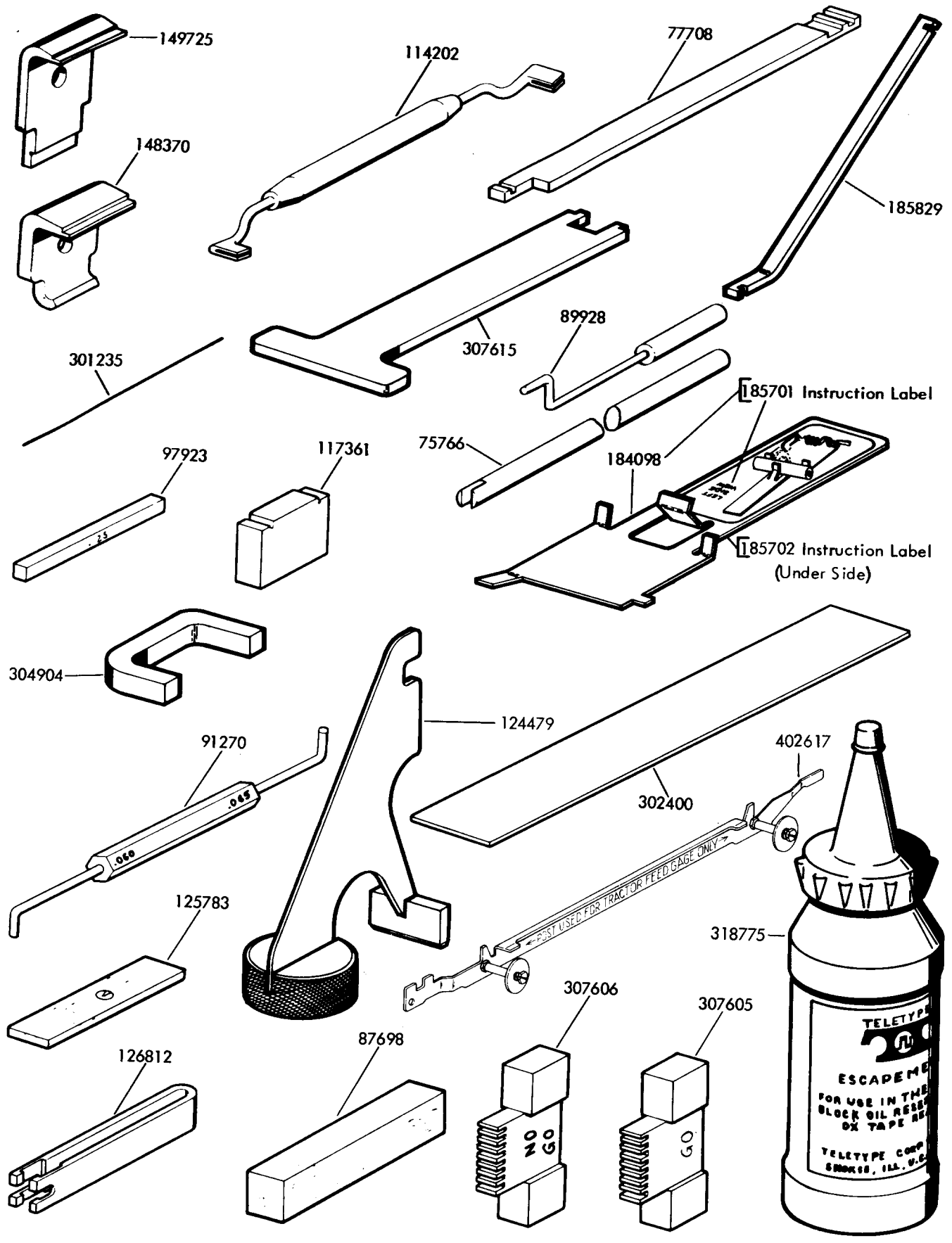
146539 Spare Circuit Card Kit			
Designation	Part Number	Designation	Part Number
EC321	172321	EC374	172374
EC322	172322	EC375	172375
EC323	172323	EC385	172385
EC324	172324	EC394	172394
EC325	172325	EC395	172395
EC326	172326	EC396	172396
EC333	172333	EC401	172401
EC347	172347	EC420	172420
EC351	172351	EC431	172431
EC352	172352	EC469	172469
EC355	172355	EC473	172473
EC359	172359	EC475	172475
EC361	172361	EC490	172490
EC363	172363	EC520	146520
EC365	172365	EC521	146521

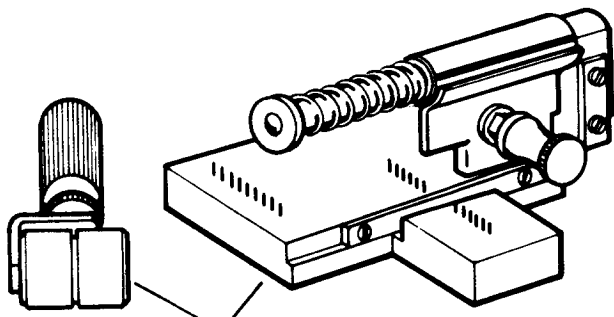
172450 Extension Card Assembly (15 Pin)  
 ① 343980 Extension Board Assembly (36 & 72 Pin)



① 343980 Extension Board Assembly  
 Not part of 146539  
 Spare Circuit Card Kit







317212 (Bell System Code 2A)

ASCII CODE  
35 TYPE PRINTER TYPEBOX

75-FIGURES FIELD												7M-LETTERS FIELD											
1M	1S	1M	1S	1S	1M	1S	1M	1S	1M	1S	1M	1M	1S	1M	1S	1S	1M	1S	1M	1S	1M		
2M	2M	2S	2S	2S	2S	2M	2M	2S	2S	2M	2M	2M	2M	2S	2S	2S	2S	2M	2M	2M	2M		
3M	3M	3M	3M	3M	3M	3M	3M	3M	3M	3M	3M	3M	3M	3M	3M	3M	3M	3M	3M	3M	3M		
▽	△	%	\$									G	F	E	D								
7	6	5	4									0	1	2	3								
/	-	.	+									W	V	U	T								
?	>	<										O	N	M	L								
												B	9										
												←	A	J									
												X	Y	Z	[								

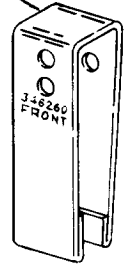
TELETYPE

CR - 1348    WRU - 13  
LF - 24        BELL - 1238  
SP - 68        EOT - 38

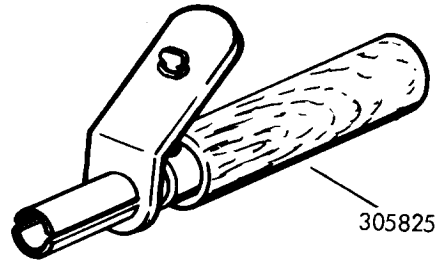
SPLICING PATCHES

CODE LEVELS	TELETYPE PART NO.	COLOR CODE	FEED HOLES	PATCH WIDTH
5	317325	BLUE	IN LINE	11/16
6	317326	RED	ADVANCED	7/8
7	317327	LAVENDER	IN LINE	7/8
8	317328	GREEN	IN LINE	1"

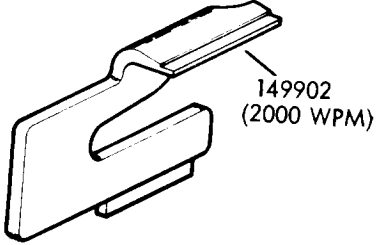
346260



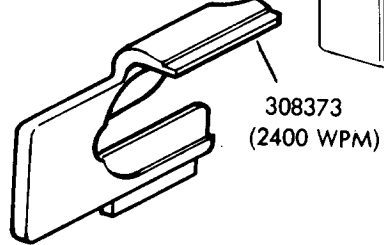
152050 (Model 28)  
321942 (Model 33 and 35)



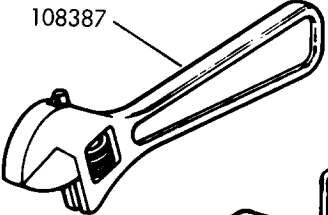
305825



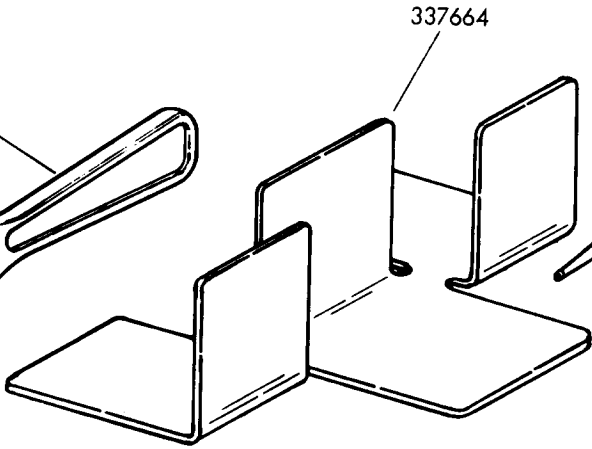
149902  
(2000 WPM)



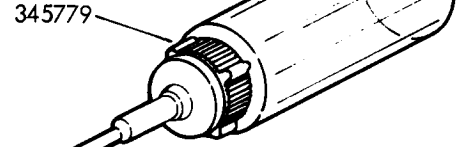
308373  
(2400 WPM)



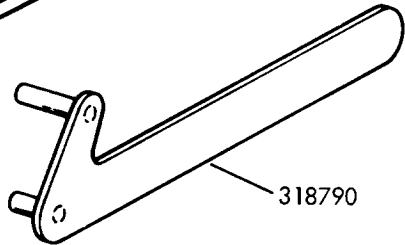
108387



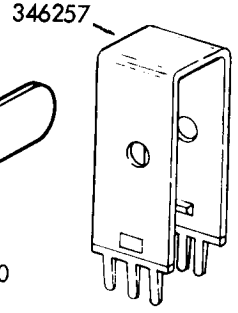
337664



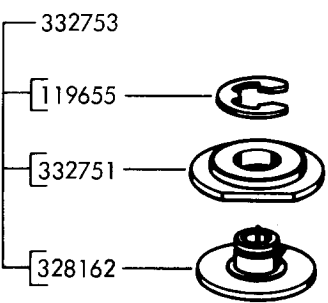
345779



318790



346257

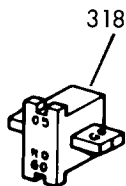


332753

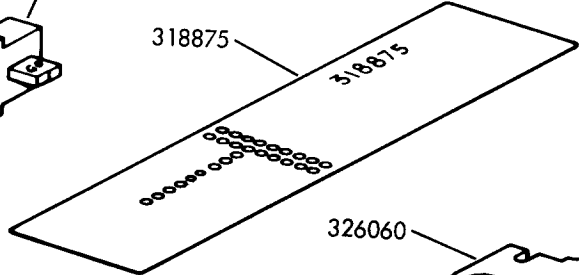
119655

332751

328162

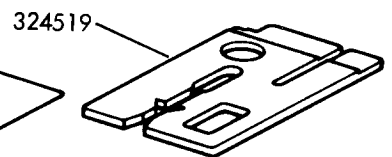


318874

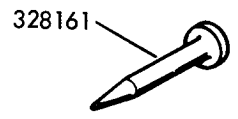


318875

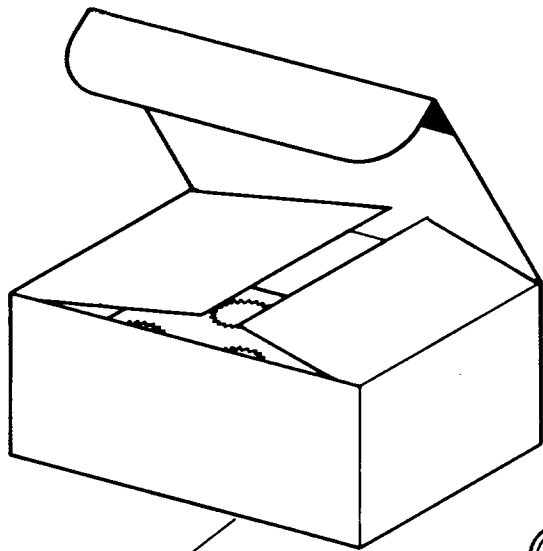
326060



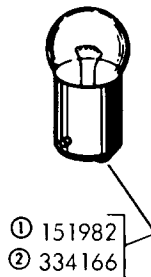
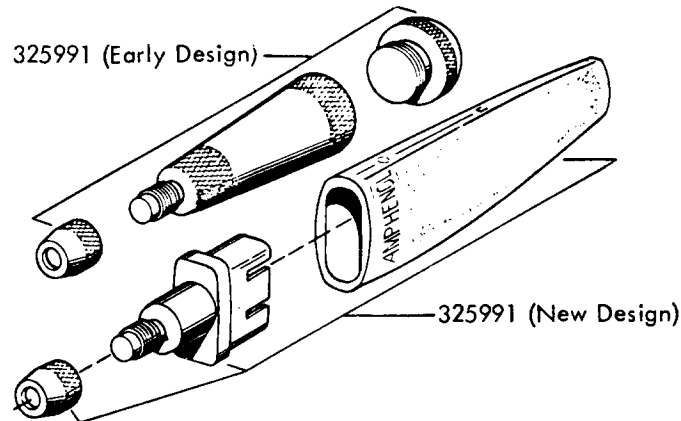
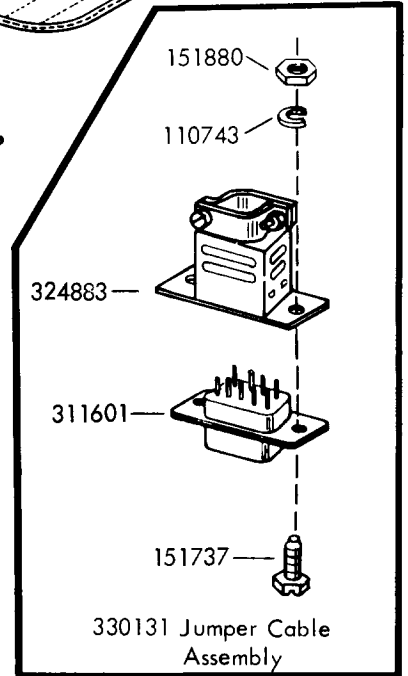
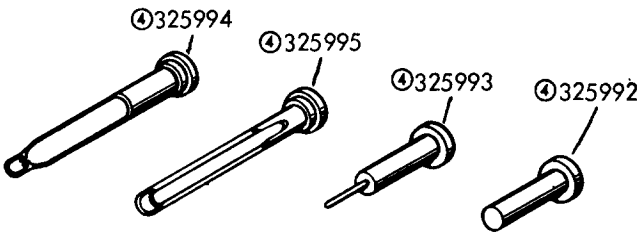
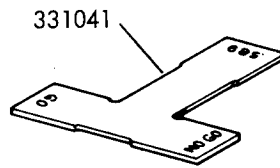
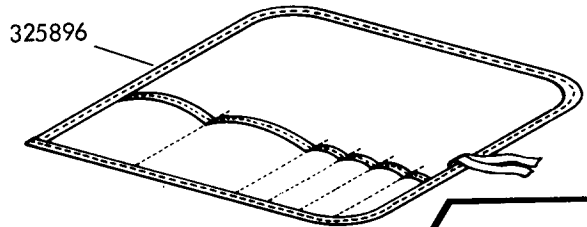
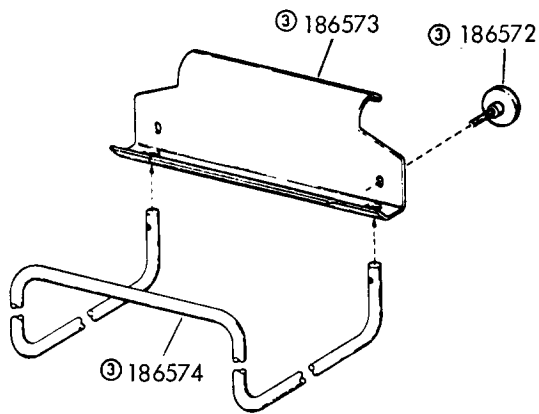
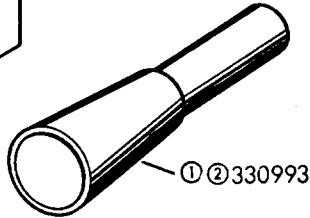
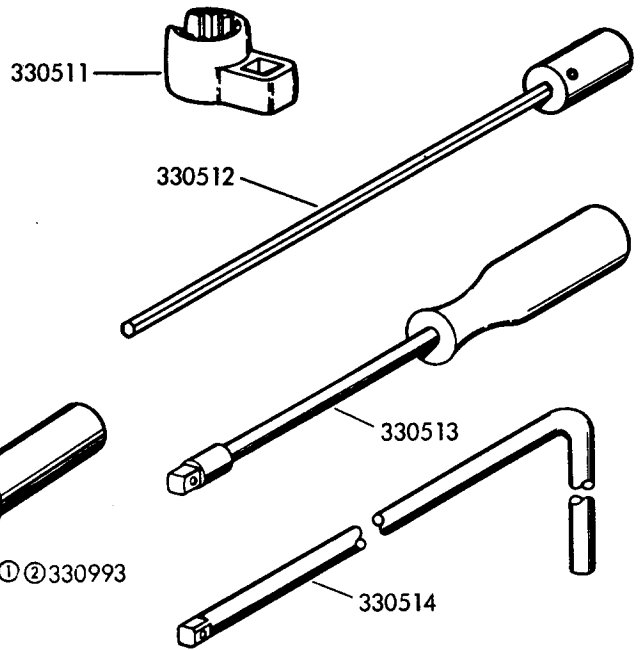
324519



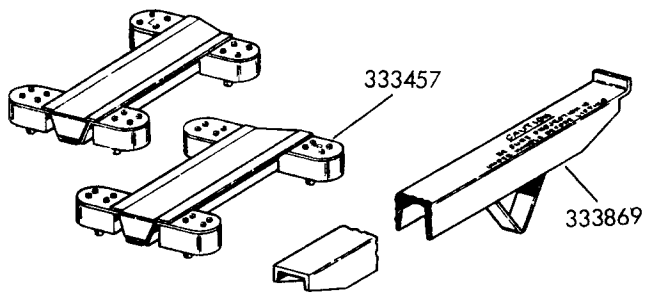
328161



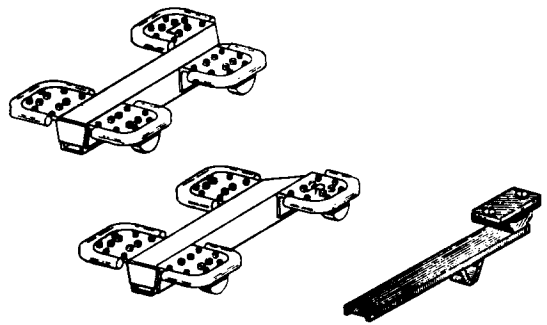
- ① 333190
- ② 334165



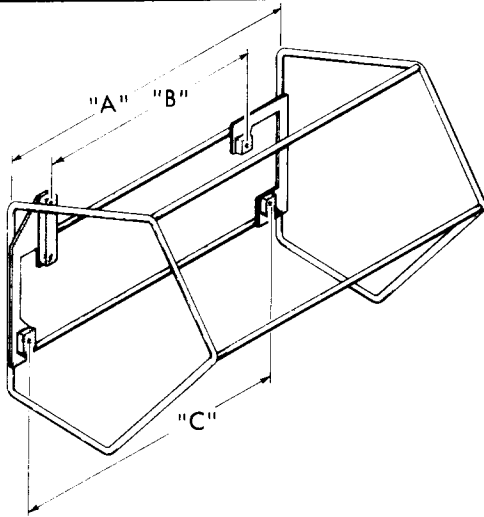
- ① 330990 Bulb Replacement Kit
- ② 334164 Bulb Replacement Kit
- ③ 186577 Maintenance Rack
- ④ Used with 325991 Holder and must be ordered separately



Universal Carrier Set and Lifting Lever

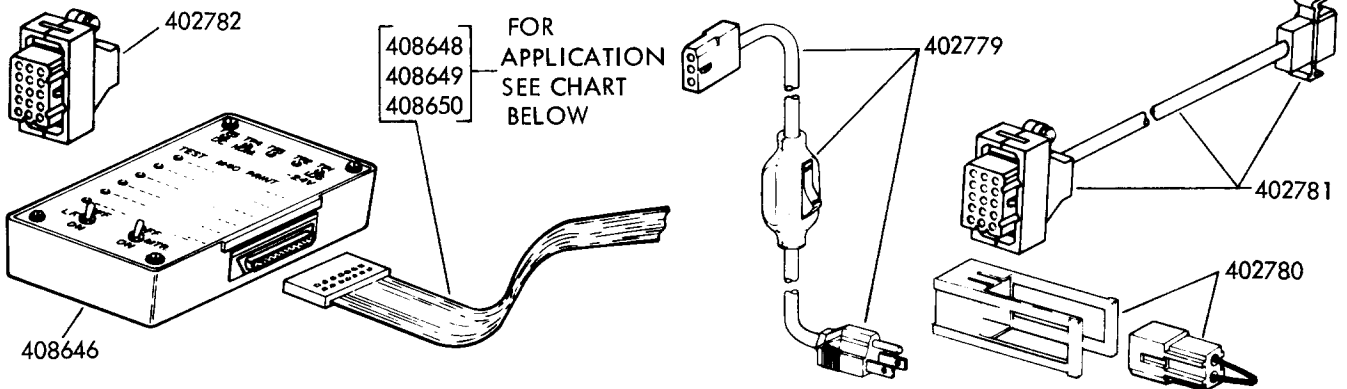


179661 (Carrier for model 28 only)



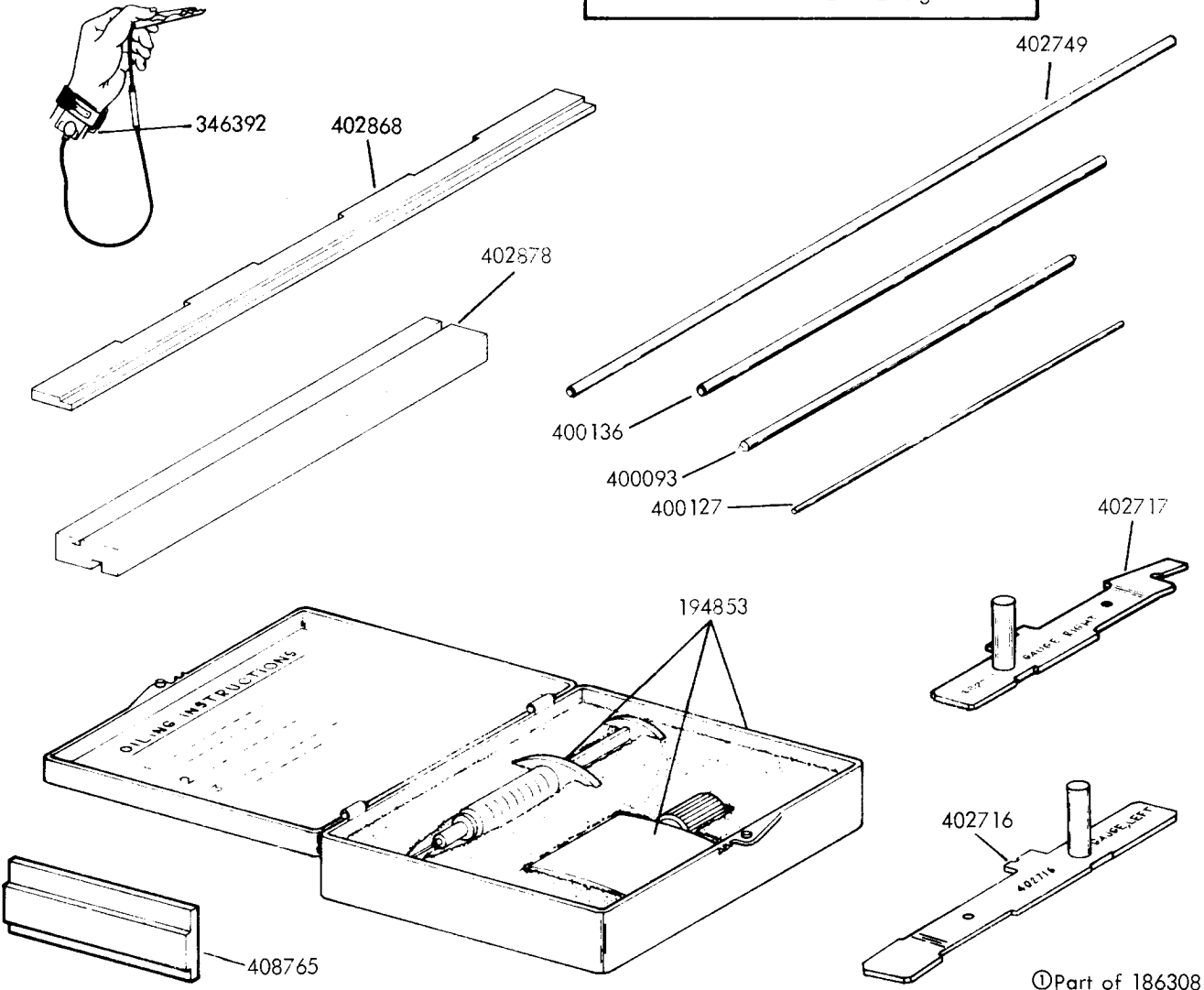
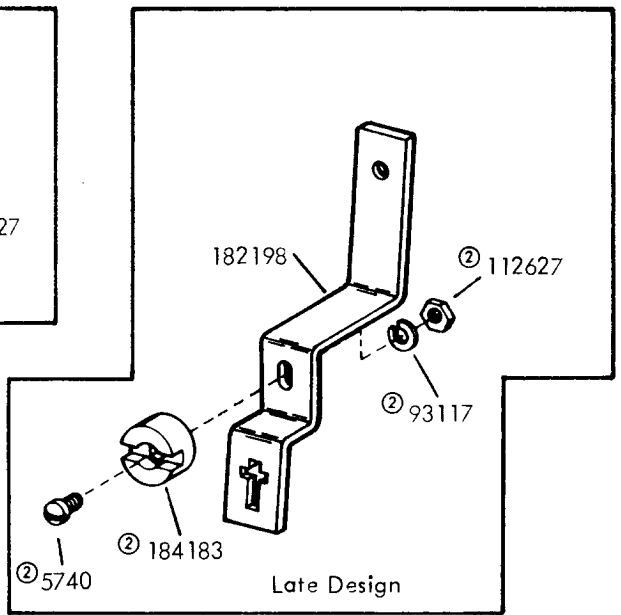
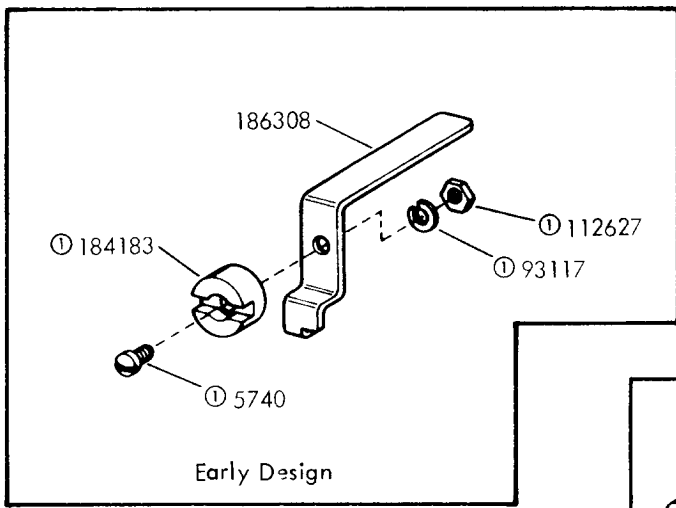
- ① For model 28, 35 and standard 37 Printers
- ② For model 37 Wide Platen Printer

Printer Cage Assembly			
Part No.	"A" Dim	"B" Dim	"C" Dim
① 343237	17-1/2"	10-7/8"	14-3/4"
② 343238	23-1/4"	16-5/8"	20-1/2"



FOR APPLICATION SEE CHART BELOW

PRINTER CODE	ADAPTER CABLE	CABLES AND JUMPER PLUGS
40P101/** (Friction Feed) 80-Column 40P102/** (Friction Feed) 80-Column	408649	402779 Line Cord With Switch 402780 Jumper Plug
40P150/**, 40P151/**, 40P152/** and 40P153/** (Tractor Feed) 80-Column	408649	402779 Line Cord With Switch
40P154/** (Tractor Feed) 80-Column	408650	402781 Line Cord Adapter
40P200/**, 40P201/**, and 40P202/** (Tractor Feed) 132-Column	408648	402782 Jumper Plug



① Part of 186308  
 ② Part of 182198

TOUCH UP PAINT - 1 PINT					
Air Dry Brush Enamel			Air Dry Brush Lacquer		
Smooth Finish			Smooth Vinyl		
Color	Teletype Code	Part Number	Color	Teletype Code	Part Number
Black High Gloss	BA	143431	Light Olive Gray	HF	304364
Black Semi-Gloss	BB	143432	Gray-Green	GA	304365
Light Gray (Coast	BH	143433	Light Aqua	HK	304366
Gray Green Guard)	BK	143434	Dark-Blue	GM	304367
Light Gray	BR	143435	Charcoal Gray	GF	304368
Light Gray (Navy)	BU	143435	Ivory	HJ	304369
Charcoal Gray	BZ	143436	Dark Covert Gray	GL	304370
Navy Ocean Gray	ED	143437	Light Olive Gray	KA	*344962
Light Olive Gray	EW	143438	Black	KB	*344963
Bluish White	FD	333823	*TEXTURED SPATTERED		
Dark Blue	FE	333824			
Dark Covert Gray	FC	333825			

CLEANING CONCENTRATE	
Quantity	Part Number
1 Gal Can	321052
5 Gal Can	321078
6 Oz Aerosol Can (Electrode Cleaner)	334510
16 Oz Aerosol Can (Contact Cleaner)	337988
5 Oz Tube (Hand Cleaner)	334508
6 Oz Aerosol Can	337401
6 Oz Aerosol Can (Freon TF)	337449

SHOP TOWELS		
Description	Part Number	Bell System Code
Masslinn 12" x 17" Open Size Packed Folded (8-1/2" x 6") in Cardboard Box Dispenser 100 per	310397	
Packet of three 12 3/4 x 15", 4 ply Paper Towels	337662	
Twill Jean Cloth (9" x 9")	107162	KS 2423
Glove: Silicone-Free Large size.	337607	

ADHESIVE		
Quantity	Application	Part Number
5 Oz	Felt Pads	143285
1 Pint	Rubber Pads And Insulators	163584
1 Pint	Air Filter	175379

GASKET MATERIAL	
Description	Part Number
Self-Adhesive Polyurethane 50 Ft. Roll	305713

LUBRICANTS							
Grease				Oil			
Part Number	Quantity	Brand Name	KS Number	Application	Quantity	Part Number	KS Number
88973	1 Lb Can		KS7471	General	1 Qt Can	88970	KS7470
97116	4 Oz Tube				1 Gal Can	88971	KS7470
108805	1-3/4 Oz	Lubriplate 105		Special	4 Oz Btle	318775	
143484	1 Lb Can	Mobil #2					
145867	4 Oz Tube	Mobil #2					
195298	5 Lb Can	Beacon 325					
301313	1-3/4 Oz	Aero Lubriplate					

## TOOL KITS

113778 Universal Tool Kit contains the following:

Part Number	Description	Page Number	Part Number	Description	Page Number
6617	Wrench, Tommy	3	110443	Scale, 8 oz Spring	2
72003	Bender, Contact Spring	6	110444	Scale, 32 oz Spring	2
72574	Tool, Holding	6	113756	Wrench Set	2
72575	Tool, Finger Bending	6	113777	Tool Kit	2
72581	Pin, Gauge	6	116156	Wrench, Spanner	3
73370	Gouge, Locating	7	117781	Gauge Set, Feeler	4
73404	Wrench, Tommy	3	124134	Bender, Contact Spring	6
73408	Magnifier	4	124682	Wrench, Hex Key	3
75503	Hook, Push Spring	4	125752	Wrench, 3/16" Socket	3
75765	Hook, Pull Spring	4	129848	Screwdriver	3
77618	Box, Tool	8	135059	Scale, 15 lb. Spring	2
82711	Scale, 64 oz Spring	2	142554	Hook, Pull Spring	4
87698	Stone, Carborundum	10	142555	Hook, Push Spring	4
88993	Burnisher, Contact	3	151351	Hook, Pull Spring	4
91117	File, Contact	3	151384	Holder, Screw	3
94644	Screwdriver, 30 Degree Offset	3	151392	Tweezers	4
94645	Screwdriver, 90 Degree Offset	3	151959	Hook, Pull Spring	4
95368	Screwdriver	3	152223	Scale, 70 gram Spring	2
95960	Gauge, Tape	7	159841	Wrench, Hex Key	3
99947	Tool, Punch Block Cleaning	7	161686	Tool, Tine Removal	5
104457	Wrench, Hex Key	3	179411	Gauge Set, Feeler	4
110271	Wrench, Hex Key	3	186077	Wrench, Hex Key	3
110443	Scale, 8 oz Spring	2	321071	Clip, Armature	5
			345010	Screwdriver, #2 Phillips	3

146642 Special Tool Kit (To Supplement the 113778 Tool Kit) contains the following:

Part Number	Description	Page Number	Part Number	Description	Page Number
110445	Bender, Contact Spring	6	145867	Grease, 4 oz. Tube	1
143089	Clip, Armature	7	172060	Bender, Contact Spring	6

151940 Special Tool Kit (Model 28 Page Printer Set) contains the following:

Part Number	Description	Page Number	Part Number	Description	Page Number
73408	Magnifier	4	151392	Tweezers	4
100982	Screwdriver w/ Clip	3	151394	Brush, Type Cleaning	4
151351	Hook, Pull Spring	4	151959	Hook, Pull Spring	4
151382	Screwdriver	3	152835	Wrench, 5/16" & 3/8" Open End	2
151383	Tool, Keylever Removal	5	152837	Wrench, 3/16" & 1/4" Open End	2
151384	Holder, Screw	3	161430	Handwheel	5

159114 Tool Kit (Model 28 Equipment) contains the following:

Part Number	Description	Page Number	Part Number	Description	Page Number
104457	Wrench, Hex Key	3	159341	Wrench, Hex Key	3
129537	Wrench, 9/16" & 3/4" Open End	2	159926	Gauge w Pin, Punch Bail Arm	7
156011	Gauge, Tape	7	160396	Pliers, Retaining Ring	3
156743	Gauge, Tape Lid	6	172060	Bender, Contact Spring	6
159133	Gauge	7			



## TOOL KITS (Continued)

171312 Tool Kit (High Speed Tape Punch and Tape Reader) contains the following:

Part Number	Description	Page Number	Part Number	Description	Page Number
82711	Scale, 64 oz Spring	2	110445	Bender, Contact Spring	6
88970	Oil, 1 qt	15	113756	Wrench Set	2
88993	Burnisher, Contact	3	117781	Gauge Set, Feeler	4
89954	Wrench, 1/4" Socket	3	129534	Wrench, 3/16" & 1/4" Open End	2
89955	Wrench, 5/16" Socket	3	142554	Hook, Pull Spring	4
94644	Screwdriver, 30 Degree Offset	3	142555	Hook, Push Spring	4
94645	Screwdriver, 90 Degree Offset	3	143089	Clip, Armature	7
94646	Stick, Orangewood	7	143484	Grease, 1 lb	15
94647	Screwdriver, 3-1/2" Blade	3	149836	Cleaner, Punch Block	15
95960	Gauge, Tape	7	151384	Holder, Screw	3
100704	Screwdriver w/Clip	3	151392	Tweezers	4
104457	Wrench, Hex Key	3	152223	Scale, 70 gram Spring	2
110442	Screwdriver	3	159841	Wrench, Hex Key	3
110443	Scale, 8 oz Spring	2	172060	Bender, Contact Spring	6
110444	Scale, 32 oz Spring	2	345779	Oiler, Plastic	11

185830 Tool Kit (Model 33 Equipment) contains the following:

Part Number	Description	Page Number	Part Number	Description	Page Number
110445	Bender, Contact Spring	6	184098	Tool, Selector Cam Removal	10
125752	Wrench, 3/16" Socket	3	185829	Bender, Contact Spring	10
160396	Pliers, Retaining Ring	3	185832	Clip, Armature	5
161686	Tool, Tine Removal	5	186077	Wrench, Hex Key	3
180587	Tool, Carriage Adjusting	9	186307	Wrench, Hex Key	3
180588	Tool, Typewheel Adjusting	9	187183	Wrench, Hex Key	3
180993	Bender, Contact Spring	9	187184	Wrench, Hex Key	3
181465	Adapter, Handwheel	5	187185	Wrench, Hex Key	3
182198	Gauge, Keyboard Adjusting	14	187186	Wrench, 3/16" & 1/4" Offset	7
182697	Extractor, Terminal	9	343955	Gauge, Tape	3
183103	Gauge, Tape Reader	4	345010	Screwdriver, #2 Phillips	3

307523 Tool Kit (High Speed Send/Receive Set) contains the following:

Part Number	Description	Page Number	Part Number	Description	Page Number
95960	Gauge, Tape	7	301487	Pliers, Gripping	3
96352	Gauge, .027"	4	302400	Gauge, Tape Chute	10
100982	Screwdriver w/Clip	3	302448	Gauge, Verifier	6
108285	Pliers, Long Nose	3	307605	Gauge, Go Contact	10
110443	Scale, 8 oz Spring	2	307606	Gauge, No Go Contact	10
124682	Wrench, Hex Key	3	307607	Gauge, Contact Alignment	7
125777	Wrench, 1/4" Offset	7	307615	Tool, Eccentric Adjusting	10
129534	Wrench, 3/16" & 1/4" Open End	2	308373	Gauge, Punch Pin Penetration	11
129536	Wrench, 7/16" & 1/2" Open End	2	310105	Screwdriver, Potentiometer Adjusting	5
135676	Handle	2	310106	Wrench, 1/8" Hex Key	3
135677	Wrench, 1/4" Socket	2	310394	Wiper, Nozzle	8
135678	Wrench, 5/16" Socket	2	310395	Vise, Pin	8
142555	Hook, Push Spring	4	310397	Towels, Shop (1 Box)	15
145867	Grease, 4 oz Tube	15	310430	Gauge Set, Feeler	4
149836	Cleaner, Punch Block	7	334500	Aspirator, Ink	6
152835	Wrench, 5/16" & 3/8" Open End	2	334503	Filter, (Quantity 3)	6
301168	Ink, 12 oz. Special (3 Bottles)	8	334508	Cleaner, Hand	15
301235	Probe, Nozzle (Quantity 5)	10	334510	Cleaner, Electrode (Quantity 2)	15
301313	Grease, 1-3/4 oz. Tube	15	337660	Tool, Electrode Scraper	6
301409	Tool, Magnet Adjusting	5	345779	Oiler, Plastic	11
301486	Pliers, Gripping	3			

### TOOL KITS (Continued)

315783 Tool Kit (Self—Contained DRPE Set) contains the following:

Part Number	Description	Page Number	Part Number	Description	Page Number
82711	Scale, 64 oz Spring	2	124682	Wrench, Hex Key	3
88970	Oil, 1 qt	15	129534	Wrench, 3/16" & 1/4" Open End	2
88975	Gun, Grease	8	129536	Wrench, 7/16" & 1/2" Open End	2
88993	Burnisher, Contact	3	135060	Tool, Roll	2
89954	Wrench, 1/4" Socket	3	142554	Hook, Pull Spring	4
89955	Wrench, 5/16" Socket	3	145867	Grease, 4 oz Tube	15
94644	Screwdriver, 30 Degree Offset	3	149836	Gauge, Puncn Cleaner	7
94645	Screwdriver, 90 Degree Offset	3	151384	Holder, Screw	3
94646	Stick, Orangewood	7	151392	Tweezers	4
100982	Screwdriver w/Clip	3	152223	Scale, 70 Gram Spring	2
104457	Wrench, Hex Key	3	152835	Wiencn, 5/16" & 3/8" Open End	2
108285	Pliers, Long Nose	3	152837	Wrench, 3/16" & 1/4" Open End	2
108805	Lubriplate 105, 1-3/4 oz. Tube	15	194853	Injector, Oil	14
110442	Screwdriver	3	302990	Gauge, Tape	7
110443	Scale, 8 oz Spring	2	305825	Tool, Lamp Extractor	11
110444	Scale, oz Spring	2	308373	Gauge, Punch Pin Penetration	11
110445	Bender, Contact Spring	6	332753	Indicator Assembly	11
117781	Gauge Set	4	345779	Oiler, Plastic	11

323922 Tool Kit (DRPE 808 and (Tape Puller Transport) same as 315783 Tool Kit except delete following parts:

Part Number	Description	Page Number	Part Number	Description	Page
108805	Lubriplate 105, 1-3 4 oz. Tube	15	305825	Tool, Lamp Extractor	11
194853	Injector, Oil	14			

330048 Tool Kit contains the following:

Part Number	Description	Page Number	Part Number	Description	Page Number
108805	Lubriplate 105, 1-3/4 oz. Tube	15	331368	Container, Tool Kit	6
145867	Grease, 4 oz Tube	15	334500	Aspirator, Ink	6
310394	Whiper, Nozzle	8	334503	Filter (Quantity 3)	6
310425	Gauge, .280	4	334508	Cleaner, 5 oz Hand	15
310426	Gauge, .320	4	334510	Cleaner, Electrode (Qty 2)	15
325710	Connector	6	336152	Magnet	6
330131	Jumper Cable Assembly	12	337607	Glove (Quantity 2)	15
331041	Gauge	12	337660	Tool, Electrode Scraper	6

330520 Tool Kit (Cradle Immobilization) contains the following:

Part Number	Description	Page Number	Part Number	Description	Page Number
330511	Socket, Crows Foot	12	330513	Driver, Flexible	12
330512	Screwdriver, Hex Head Cap	12	330514	Wrench, 1/4" sq Socket	12

## TOOL KITS (Continued)

341365 Tool Kit (M33 TWX) Contains the Following:

Part Number	Description	Page Number	Part Number	Description	Page Number
72581	Pin, Gauge	6	161430	Handwheel	5
73370	Gauge, Locating	7	161686	Tool, Tine	5
75503	Hook, Push Spring	4	178902	Gauge, Tape	7
75765	Hook, Pull Spring	4	179411	Gauge Set, Feeler	4
88993	Burnisher, Contact	3	180587	Tool, Carriage Adjusting	9
94646	Stick, Orangewood	7	180588	Tool, Typewheel Adjusting	9
95960	Gauge, Tape	7	180993	Bender Contact Spring	9
110443	Scale, 8 oz. Spring	2	181465	Adapter, Handwheel	5
110444	Scale, 32 oz. Spring	2	182697	Extractor, Terminal	9
113756	Wrench Set	2	183103	Gauge, Tape Reader	4
113777	Tool Kit	2	184098	Tool, Selector Cam Removal	10
117781	Gauge Set, Feeler	4	185829	Bender, Contact Spring	10
151351	Hook, Pull Spring	4	185832	Clip, Armature	5
151959	Hook, Pull Spring	4	321071	Clip, Armature	5
156743	Gauge, Tape Lid	6	326060	Gauge	11
160396	Pliers, Retaining Ring	3			

## NUMERICAL INDEX

Part Number	Description and Page Number	Part Number	Description and Page Number	Part Number	Description and Page Number
3640	Lockwasher 9	93827	Gauge, .055" 4	104262	Case, Tuning Fork 8
5740	Screw, 2-56 x 1/4" Fil 14	93828	Gauge, .012" 4	104457	Wrench, Hex Key 3,16,17, 18
6617	Wrench, Tommy 3,16	93833	Gauge, .003" 4	104986	Fork, Tuning 8
7002	Washer, Flat 5	94540	Screw, 10-24 Set 5	107162	Cloth, Twill Jean 9,15
72003	Bender, Contact Spring 6,16	94644	Screwdriver, 30 Deg Offset 3,16,17,18	108252	Screwdriver 3
72574	Tool, Holding 6,16	94645	Screwdriver, 90 Deg Offset 3,16,17,18	108285	Pliers, Long Nose 3,17,18
72575	Tool, Finger Bending 6,16	94646	Stick, Orangewood 7,17,18, 19	108286	Pliers, Cutting 3
72581	Pin, Gauge 6,16,19	94647	Screwdriver, 3-1/2" Blade 3,17	108387	Wrench, 4" Adjustable 11
73370	Gauge, Locating 7,16,19	95368	Screwdriver 3,16	108805	Lubriplate, 1-3/4 Oz Tube 15,17,18
73404	Wrench, Tommy 3,16	95960	Gauge, Tape 7,16,17,19	110271	Wrench, Hex Key 3,16
73408	Magnifier 4,16	96352	Gauge, .027" 4,16	110442	Screwdriver 3,17,18
73409	Brush, Camel Hair 4	96356	Gauge, .002" 4	110443	Scale, 8 oz, Spring 2,16,17, 18,19
73410	Screwdriver 3	96358	Gauge, .002" 4	110444	Scale, 32 Oz Spring 2,16,17, 18,19
73517	Gauge 7	96358	Gauge, .002" 4	110445	Bender, Contact Spring 6, 16,17,18
75503	Hook, Push Spring 4,16,19	96360	Gauge, .006" 4	110743	Lockwasher 12
75765	Hook, Pull Spring 4,16,19	96362	Gauge, .007" 4	112627	Nut, 2-56 Hex 14
75766	Tool, Special 10	96364	Gauge, .010" 4	113756	Wrench Set 2,16,17,19
75906	Tool, Local Test 7	96369	Gauge, .006" 4	113777	ToolKit 2,16,19
77618	Box, Tool 8,16	96371	Gauge, .008" 4	113778	ToolKit 16
77708	Bender, Contact Spring 10	96373	Gauge, .010" 4	114199	Bender, Contact Spring 6
78590	Pliers, Parallel 3	96375	Gauge, .015" 4	114200	Bender, Contact Spring 6
82711	Scale, 64 Oz Spring 2,16,17, 18	96377	Gauge, .020" 4	114201	Wrench, Closed Offset 7
84020	Puller, Bearing 8	96383	Gauge, .035" 4	114202	Bender, Contact Spring 10
86965	Handle 8	96385	Gauge, .040" 4	114672	Wrench, 3/8" & 7/16" Open End 7
86966	Shaft, Bearing Puller 8	96389	Gauge, .045" 4	116156	Wrench, Spanner 3,16
86968	Pin, Cotter 8	96391	Gauge, .050" 4	116799	Tool, Bending 6
86970	Jaw, Bearing Puller 8	96393	Gauge, .060" 4	117361	Gauge, Contact Adjusting 10
87697	Wrench, 1/2" & 3/4" Open End 7	96395	Gauge Set, Feeler	117375	Case, Gauge 4
87698	Stone, Carborundum 10,16	96399	Gauge, .065" 4	117781	Gauge Set, Feeler 4,16,17, 18,19
88970	Oil, IQT 15,17,18	96401	Gauge, .070" 4	118530	Gauge 6
88971	Oil, 1 Gal. 15	96403	Gauge, .075" 4	119655	Ring, Retaining 11
88973	Grease, 1 Lb. 15	96405	Gauge, .080" 4	121038	Wrench, Closed Spanner 3
88975	Gun, Grease 8,18	97116	Grease, 4 Oz. 15	121550	Bender, Contact Spring 6
83993	Burnisher, Contact 3,16,17, 18,19	97923	Gauge, .125" 10	124134	Bender, Contact Spring 6,16
89928	Tool, Relay Adjusting 10	98055	Bender, Contact Spring 6	124479	Gauge, Locating 10
89954	Wrench Assembly 1/4" 3,17, 18	98136	Gauge, .037" 4	124682	Wrench, Hex Key 3,16,17, 18
89955	Wrench Assembly 5/16" 3, 17,18	98631	Scale, 50 Gram Spring 2	124828	Pad 5
90783	Wrench Assembly 3	99391	Gauge 6	125011	Washer, Flat 9
91117	File, Contact 3,16	99896	Wrench Assembly 3	125752	Wrench, 3/16" Socket 3,16, 17
91270	Gauge, .060" & 0.065" 10	99947	Tool, Punch Block Cleaning 7,16	125754	Wrench, 1/4" Socket 7
93117	Lockwasher 14	100688	Oiler 8	125755	Wrench, 5/16" Socket 7
93811	Gauge, .030" 4	100704	Screwdriver w/Clip 3,17	125756	Wrench, 3/8" Socket 7
93814	Holder, Gauge 4	100982	Screwdriver w/Clip 3,16,17, 18		
93822	Gauge, .004" 4	101082	Wrench, 3/4" Open End 7		
93823	Gauge, .005" 4	103534	Tool, Bending 7		
93824	Gauge, .018" 4	103621	Wrench, Hex Key 3		
93825	Gauge, .025" 4	103628	Fork, Tuning 8		

## NUMERICAL INDEX (Continued)

Part Number	Description and Page Number	Part Number	Description and Page Number	Part Number	Description and Page Number
125757	Wrench, 7/16" Socket 7	146538	Case, Circuit Card Carrying 9	156743	Gauge, Tape Lid 6,16,19
125758	File, 5-1/4" Contact 3	146539	Kit, Circuit Card 9	159114	Tool Kit 16
125759	Wrench, 1/8" Open End 7	146540	Kit w/Case, Circuit Card 9	159133	Gauge 7,16
125762	Wrench, 5/16" Open End 7	146605	Tape, 5 Level Test 9	159841	Wrench, Hex Key 13,16,17
125765	Wrench, 7/16" & 3/8" Open End 7	146606	Tape, 8 Level Test 9	159926	Gauge w/Pin, Punch Bail Arm 7,16
125775	Wrench, 3/8" & 7/16" Open End 7	146642	Tool Kit 16	160396	Pliers, Retaining Ring 3,16, 17,19
125776	Wrench, 5/16" Open End 7	146861	Tape, 6 Level Test 9	161430	Handwheel 5,16,19
125777	Wrench, 1/4" Open End 7, 17	148101	Tape, 5 Level Test 9	161686	Tool, Tine 5,16,17,19
125783	Stone, Carborundum 10	148102	Tape, 8 Level Test 9	163584	Adhesive, 1 Pint 15
126812	Tool, Extracting 10	148370	Gauge, Punch Pin Penetration 10	165800	Gauge, Tape 7
129534	Wrench, 3/16" & 1/4" Open End 2,17,18	148455	Stud9	170283	Gauge, Tape Lid 6
129535	Wrench, 5/8" & 3/4" Open End 2	148554	Tape, 8 Level Test 9	170311	Gauge, Tape Lid 6
129536	Wrench, 7/16" & 1/2" Open End 2,17,18	149725	Gauge,PunchPin Penetration 10	171312	ToolKit 17
129537	Wrench, 9/16" & 3/4" Open End 2,16	149836	Cleaner, Punch Block 7,17, 18	172060	Bender, Contact Spg 6, 16,17
129848	Screwdriver 3,16	149902	Gauge, Punch Pin Penetration 11	172321	Card, EC321 Circuit 9
135059	Scale, 15 Lb Spring 2,16	150040	Screw, 6-40 x 5/8" Fil 5	172322	Card, EC322 Circuit 9
135060	Roll, Tool 2,18	151351	Hook, Pull Spring 4,16,19	172323	Card, EC323 Circuit 9
135675	Roll, Tool 2	151382	Screwdriver 3,16	172324	Card, EC324 Circuit 9
135676	Handle 2,3,17	151383	Tool, Keylever Remover 5, 16	172325	Card, EC325 Circuit 9
135677	Bit, 1/4" Socket 2,3,17	151384	Holder, Screw 3,16,17,18	172326	Card, EC326 Circuit 9
135678	Bit, 5/16" Socket 2,3,17	151392	Tweezers 4,16,17,18	172333	Card, EC333 Circuit 9
135679	Bit,Disc2,3	151394	Brush, Type Cleaning 4,16	172347	Card, EC347 Circuit 9
135680	Bit, Adjusting 2,3	151627	RodS	172351	Card, EC351 Circuit 9
139676	Drill 7	151688	Screw, 4-40 x 5/8 " Fil 9	172352	Card, EC352 Circuit 9
142554	Hook, Pull Spring 4,16,17, 18	151737	Screw, 4-40x 11/64" Hex 12	172355	Card, EC355 Circuit 9
142555	Hook, Push Spring 4,16,17	151880	Nut, 4-40 Hex 9,12	172359	Card, EC359 Circuit 9
143089	Clip, Armature 7,16,17	151940	Tool Set 16	172361	Card, EC361 Circuit 9
143285	Adhesive, 5 Oz Tube 15	151959	Hook, Pull Spring 4,16,19	172363	Card, EC363 Circuit 9
143431	Paint, 1 Pint 15	151982	Lamp, 6V Incandescent 12	172365	Card, EC365 Circuit 9
143432	Paint, 1 Pint 15	152050	Chart 11	172374	Card, EC374 Circuit 9
143433	Paint, 1 Pint 15	152223	Scale, 70 Gram Spring 2, 16,17,18	172375	Card, EC375 Circuit 9
143434	Paint, 1 Pint 15	152258	Post, 3-3/16" Lg 5	172385	Card, EC385 Circuit 9
143435	Paint, 1 Pint 15	152292	Clip, Armature 5	172394	Card, EC394 Circuit 9
143436	Paint, 1 Pint 15	152835	Wrench, 5/16" & 3/8" Open End 2,16,17,18	172395	Card, EC395 Circuit 9
143437	Paint, 1 Pint 15	152837	Wrench, 3/16" & 1/4" Open End 2,16,18	172396	Card, EC396 Circuit 9
143438	Paint, 1 Pint 15	153673	Shaft 5	172401	Card, EC401 Circuit 9
143484	Grease, 1 Lb 15,17	153797	Depressor, Sprocket Pin 5	172420	Card, EC420 Circuit 9
145867	Grease, 4 Oz Tube 15, 16, 17 18	153807	Post, 2-33/64" Lg 5	172431	Card, EC431 Circuit 9
146330	Iron, Soldering 5	153808	Clamp 5	172450	Card Assembly, Ext. 9
146331	Tip, Soldering Iron 5	154393	Wrench, 5/32" Open End 2	172469	Card, EC469 Circuit 9
146520	Card, EC520 Circuit 9	156011	Gauge, Tape 7,16,17	172473	Card, EC473 Circuit 9
146521	Card, EC520 Circuit 9	156170	Bender, Contact Spring 6	172475	Card, EC475 Circuit 9
				172490	Card, EC490 Circuit 9
				173503	Gauge, Tape Lid 6
				175379	Adhesive, 1 Pint 15
				178489	Clip, Armature 5
				178833	Plug, 3 Pt Adapter 9
				178902	Gauge,Tape 7,19

## NUMERICAL INDEX (Continued)

Part Number	Description and Page Number	Part Number	Description and Page Number	Part Number	Description and Page Number
179407	Gauge, .090" Feeler 4	199413	Wrench, 3/16" & 1/4" Offset Open End 7	310425	Gauge, .280" 4,18
179408	Gauge, .100" Feeler 4			310426	Gauge, .320" 4,18
179409	Gauge, .110" Feeler 4	301168	Ink 12 Oz Special 8,17	310430	Gauge Set, Feeler 4,17
179410	Gauge, .120" Feeler 4	301235	Probe, Nozzle 10,17	311601	Connector 12
179411	Gauge Set, Feeler 4,16,19	301313	Aero Lubriplate, 1-3/4 Oz Tube 15,17	312709	Clip, Armature 5
179661	Carrier Set 13			315783	ToolKit 18
180587	Tool, Carriage Adjusting 9, 17,19	301409	Tool, Magnet Adjusting 5, 17	317212	Splicer w/Roller, Tape 11
180588	Tool, Typewheel Adjusting 9,17,19	301486	Pliers, Gripping 3,17	317325	Patch, Blue Splicing 11
180993	Bender, Contact Spring 9, 17,19	301487	Pliers, Gripping 3,17	317327	Patch, Red Splicing 11
181465	Adapter, Handwheel 5,17, 19	302400	Gauge, Tape Chute 10,17	317328	Patch, Lavender Splicing 11
182198	Gauge, Keyboard Adjusting 14	302448	Gauge, Verifier 6,17	318603	Tool, Adjusting 5
182697	Extractor, Terminal 9,17,19	302990	Gauge, Tape 7,18	318775	Oil, 4 Oz. Bottle 10,15
183103	Gauge, Tape Reader 4,17,19	303069	Tape, Test 9	318790	Tool, Adjusting 11
184098	Tool, Selector Cam Removal 10,17,19	303098	Tape, 8 Level Test 9	318874	Gauge, Height 11
184183	Magnet 14	303099	Tape, 8 Level Test 9	318875	Gauge, Contact Alignment 11
185701	Label, Instruction 10	304364	Paint, 1 Pint 15	320279	Tape, 5 Level Test 9
185702	Label, Instruction 10	304365	Paint, 1 Pint 15	321052	Concentrate, One Gallon Cleaning 15
185829	Bender, Contact Spring 10, 17,19	304366	Paint, 1 Pint 15	321071	Clip, Armature 5,16,19
185830	Tool Kit 17	304367	Paint, 1 Pint 15	321078	Concentrate, 5 Gal Cleaning 15
185832	Clip, Armature 5,17,19	304368	Paint, 1 Pint 15	321942	Chart, Code 11
186077	Wrench, Hex Key 3,16,17	304369	Paint, 1 Pint 15	323387	Tab 9
186307	Wrench, Hex Key 3,17	304370	Paint, 1 Pint 15	323922	Tool Kit 18
186308	Gauge, Keyboard Adjusting 14,17	304904	Staple, Carrier 10	324519	Gauge 11
186572	Thumbscrew, 6-40 12	305713	Strip, 50 Ft Roll Foam 15	324883	Shell, Connector 12
186573	Handle 12	305734	Tape, 5 Level Test 9	325710	Connector 30 Pt Circuit Card 6,18
186574	Runner 12	305735	Tape, 8 Level Test 9	325896	Roll, Tool 12
186577	Rack, Maintenance 12	305825	Tool, Lamp Extractor 11, 18	325991	Holder, Tool 12
187183	Wrench, Hex Key 3,17	305723	Tool Kit 17	325992	Tool, Terminal Removal 12
187184	Wrench, Hex Key 3,17	307605	Gauge, Go Contact 10,17	325993	Tool, Terminal Removal 12
187185	Wrench, Hex Key 3,17	307606	Gauge, No Go Contact 10, 17	325994	Tool, Terminal Insert 12
187186	Wrench, Combination 1/4" 7,17	307607	Gauge, Contact Alignment 7,17	325995	Tool, Terminal Insert 12
194853	Injector, Oil 14,18	307615	Tool, Eccentric Adjusting 10,17	326060	Gauge 11,19
195298	Grease, 5 Lb Can 15	308373	Gauge, Punch Pin Penetration 11,17,18	326742	Tape, Test 9
197671	Disc, Indicator 5	309356	Gauge, Feed Wheel 3	326743	Tape, Test 9
197672	Pointer 5	310105	Screwdriver, Potentiometer Adjusting 5,17	328161	Bit, Tool 11
197673	Modification Kit 5	310106	Wrench, 1/8., Hex Key 3,17	328162	Indicator w/Pin 11
199367	Post, 1-51/64" Lg 5	310394	Wiper, Nozzle 8,17,18	330048	Tool Kit 18
199380	Post Assembly, Supporting 5	310395	Vise, Pin 8,17	330131	Jumper, Cable 12,18
199382	Maintenance Kit 5	310397	Towels, Shop 15,17	330511	Socket,CrowsFoot12,18
199383	Post, 3-7/32" Lg 5	310413	Gauge,.147" &. 153" 4	330512	Screwdriver, Hex Head Cap 12, 18
199384	Post, 3-1/2" Lg 5	310420	Gauge, .130" 4	330513	Driver, Flexible 12,18
199385	Post Assembly, Supporting 5	310421	Gauge, .135" 4	330514	Wrench, 1/4" Sq. Socket 12, 18
		310422	Gauge, .140" 4	330520	Tool Kit 18
		310423	Gauge, .145" 4	330990	Kit, Bulb Replacement 12
		310424	Gauge, .150" 4	330993	Extractor, Lamp 12
				331041	Gauge 12, 18

## NUMERICAL INDEX (Continued)

Part Number	Description and Page Number	Part Number	Description and Page Number	Part Number	Description and Page Number
331368	Container, Tool Kit 6,18	337662	Towels 15	346257	Extractor, Key Switch 11
332751	Disc, Indicator 11	337664	Stand 11	346260	Extractor, Keypot 11
332753	Indicator Assembly 11,18	337670	Pump, Suction 8	346392	Strap, Static Discharge 14
333190	Box 12	337672	Cap w/Seal8	400093	Rod,.06214
333457	Carrier Set 13	337673	Cap Assembly8	400127	Rod, .035" 14
333823	Paint, 1 Pint 15	337678	Tube, Pickup 8	400136	Lifter, Hammer Return Spring 14
333824	Paint, 1 Pint 15	337977	Gauge 4	400188	Wrench, Impeller Shaft 7
333825	Paint, 1 Pint 15	337988	Cleaner, Contact 15	402617	Gauge 10
333869	Lever, Lifting 13	340235	Grip, Handwheel 5	402716	Gauge, Left 14
334164	Kit, Bulb Replacement 12	341365	Tool Kit 19	402717	Gauge, Right 14
334165	Box 12	341588	Gauge, Spot 7	402749	Rod, Spring Lifter 14
334166	Lamp, 6V Incandescent 12	341983	Tool, Contact 6	402779	Cord w/Switch 13
334500	Aspirator, Ink 6,17,18	343237	Cage Assembly, Printer 13	402780	Receptacle w/Strap
334501	Bulb w/Check Valves 8	343238	Cage Assembly, Printer 13	402781	Adapter, Line Cord 13
334503	Filter 6,17,18	343955	Gauge, Tape 7	402782	Plug, Jumper 13
334508	Cleaner, 5 Oz Hand 15,17, 18	343980	Card Assembly, Extension 9	402840	Extractor, Terminal 8
334510	Cleaner, Electrode 15,17,18	343981	Card, Circuit 9	402868	Gauge, Backup Bar 14
335763	Screwdriver, Fiberglass 3	343982	Connector, Circuit Card 9	402878	Gauge, Pallet Depth 14
336152	Magnet 6,18	344172	Tool, Wire Wrapping 4	405992	Tool, Adjusting 6
337401	Cleaner, Head and Guide 15	344173	Tool, Wire Unwrapping 4	408071	Pliers, Cutting 3
337449	Freon, 6 Oz Can 15	344962	Paint, 1 Pint 15	408646	Test Assembly 13
337455	Cleaner, Tape 9	344963	Paint, 1 Pint 15	408648	Cable 13
337607	Glove 15,18	345010	Screwdriver, No. 2 Phillips 3,16,17	408649	Cable 13
337660	Scraper, Electrode 6, 17, 18	345779	Oiler, Plastic, 11, 17, 18	408650	Cable 12
				408765	Gauge 14